



**TO:** Plan Holders

**FROM:** Nathan Simons, Community Development Coordinator

**DATE:** Thursday, August 18<sup>th</sup>, 2022

**RE:** Athens County Critical Infrastructure – Chauncey, OH - Sanitary Sewer Improvements

#### **ADDENDUM #1**

This addendum supplements and amends the specifications and shall become part of the contract documents. The contractor shall acknowledge receipt of this addendum on the Bid Form and incorporate the information herein contained in the preparation of his/her proposal.

1. The Davis Bacon wage rates General Decision Number: OH20220001 07/29/2022 – Heavy and Highway were changed on 08/12/2022. This supersedes wage rate determination OH20210001 dated 7/29/2022. Please use attached wage rates attached to this addendum.
2. The engineer has issued a revised sheet C500 (attached). Please reference this document for bidding purposes.
3. The bid opening date has been extended for this project by one week. The newly scheduled bid opening for the project will be held on Thursday August 30<sup>th</sup>, 2022 at 10:15 am in the originally specified location 15 South Court Street, Athens, OH 45701

All other terms and conditions remain the same.

**END OF ADDENDUM #1**

Superseded General Decision Number: OH20210001

State: Ohio

Construction Types: Heavy and Highway

Counties: Ohio Statewide.

Heavy and Highway Construction Projects

Note: Contracts subject to the Davis-Bacon Act are generally required to pay at least the applicable minimum wage rate required under Executive Order 14026 or Executive Order 13658. Please note that these Executive Orders apply to covered contracts entered into by the federal government that are subject to the Davis-Bacon Act itself, but do not apply to contracts subject only to the Davis-Bacon Related Acts, including those set forth at 29 CFR 5.1(a)(2)-(60).

If the contract is entered into on or after January 30, 2022, or the contract is renewed or extended (e.g., an option is exercised) on or after January 30, 2022:	Executive Order 14026 generally applies to the contract. The contractor must pay all covered workers at least \$15.00 per hour (or the applicable wage rate listed on this wage determination, if it is higher) for all hours spent performing on the contract in 2022.
If the contract was awarded on or between January 1, 2015 and January 29, 2022, and the contract is not renewed or extended on or after January 30, 2022:	Executive Order 13658 generally applies to the contract. The contractor must pay all covered workers at least \$11.25 per hour (or the applicable wage rate listed on this wage determination, if it is higher) for all hours spent performing on that contract in 2022.

The applicable Executive Order minimum wage rate will be adjusted annually. If this contract is covered by one of the Executive Orders and a classification considered necessary for performance of work on the contract does not appear on this wage determination, the contractor must still submit a conformance request.

Additional information on contractor requirements and worker protections under the Executive Orders is available at <https://www.dol.gov/agencies/whd/government-contracts>.

Modification Number	Publication Date
0	01/07/2022
1	01/14/2022
2	01/28/2022
3	02/18/2022
4	02/25/2022
5	03/11/2022
6	04/08/2022
7	05/27/2022
8	06/10/2022
9	06/17/2022
10	06/24/2022
11	07/08/2022
12	07/15/2022
13	07/22/2022
14	07/29/2022
15	08/12/2022

BROH001-001 06/01/2021

DEFIANCE, FULTON (Excluding Fulton, Amboy & Swan Creek Townships), HENRY (Excluding Monroe, Bartlow, Liberty, Washington, Richfield, Marion, Damascus & Townships & that part of Harrison Township outside corporate limits of city of Napoleon), PAULDING, PUTNAM and WILLIAMS COUNTIES

	Rates	Fringes
Bricklayer, Stonemason.....	\$ 30.40	17.55

BROH001-004 06/01/2021

	Rates	Fringes
CEMENT MASON/CONCRETE FINISHER..	\$ 30.40	17.55

BROH003-002 06/01/2021

FULTON (Townships of Amboy, Swan Creek & Fulton), HENRY (Townships of Washington, Damascus, Richfield, Bartlow, Liberty, Harrison, Monroe, & Marion), LUCAS and WOOD (Townships of Perrysburg, Ross, Lake, Troy, Freedom, Montgomery, Webster, Center, Portage, Middleton, Plain, Liberty, Henry, Washington, Weston, Milton, Jackson & Grand Rapids) COUNTIES

	Rates	Fringes
Bricklayer, Stonemason.....	\$ 30.40	17.55

BROH005-003 06/01/2020

CUYAHOGA, LORAIN & MEDINA (Hinckley, Granger, Brunswick, Liverpool, Montville, York, Homer, Harrisville, Chatham, Litchfield & Spencer Townships and the city of Medina)

	Rates	Fringes
BRICKLAYER		
BRICKLAYERS; CAULKERS;		
CLEANERS; POINTERS; &		
STONEMASONS.....	\$ 36.64	17.13
SANDBLASTERS.....	\$ 36.39	17.13
SEWER BRICKLAYERS & STACK		
BUILDERS.....	\$ 36.64	17.13
SWING SCAFFOLDS.....	\$ 37.14	17.13

BROH006-005 06/01/2021

CARROLL, COLUMBIANA (Knox, Butler, West & Hanover Townships),  
 STARK & TUSCARAWAS

	Rates	Fringes
Bricklayer, Stonemason.....	\$ 30.40	17.55
-----		
BRQH007-002 06/01/2021		

LAWRENCE

	Rates	Fringes
Bricklayer, Stonemason.....	\$ 30.40	17.55
-----		
BRQH007-005 06/01/2021		

PORTAGE & SUMMIT

	Rates	Fringes
BRICKLAYER.....	\$ 30.40	17.55
-----		
BRQH007-010 06/01/2017		

PORTAGE & SUMMIT

	Rates	Fringes
MASON - STONE.....	\$ 28.65	14.55
-----		
BRQH008-001 06/01/2021		

COLUMBIANA (Salem, Perry, Fairfield, Center, Elk Run,  
 Middleton, & Unity Townships and the city of New Waterford),  
 MAHONING & TRUMBULL

	Rates	Fringes
BRICKLAYER.....	\$ 30.40	17.55
-----		
BRQH009-002 06/01/2021		

BELMONT & MONROE COUNTIES and the Townships of Warren & Mt.  
 Pleasant and the Village of Dillonvale in JEFFERSON COUNTY

	Rates	Fringes
Bricklayer, Stonemason.....	\$ 30.40	17.55
Refractory.....	\$ 31.45	19.01
-----		
BRQH010-002 06/01/2021		

COLUMBIANA (St. Clair, Madison, Wayne, Franklin, Washington,  
 Yellow Creek & Liverpool Townships) & JEFFERSON (Brush Creek &  
 Saline Townships)

	Rates	Fringes
Bricklayer, Stonemason.....	\$ 30.40	17.55
-----		
BRQH014-002 06/01/2021		

HARRISON & JEFFERSON (Except Mt. Pleasant, Warren, Brush Creek,  
 Saline & Salineville Townships & the Village of Dillonvale)

	Rates	Fringes
Bricklayer, Stonemason.....	\$ 30.40	17.55
-----		
BRQH016-002 06/01/2021		

ASHTABULA, GEAUGA, and LAKE COUNTIES

	Rates	Fringes
Bricklayer, Stonemason.....	\$ 30.40	17.55
-----		
BRQH018-002 06/01/2021		

BROWN, BUTLER, CLERMONT, HAMILTON, PREBLE (Gasper, Dixon,  
 Israel, Lanier, Somers & Gratis Townships) & WARREN COUNTIES:

	Rates	Fringes
Bricklayer, Stonemason.....	\$ 30.40	17.55
-----		
BRQH022-004 06/01/2021		

CHAMPAIGN, CLARK, CLINTON, DARKE, GREENE, HIGHLAND, LOGAN,  
 MIAMI, MONTGOMERY, PREBLE (Jackson, Monroe, Harrison, Twin,  
 Jefferson & Washington Townships) and SHELBY COUNTIES

	Rates	Fringes
Bricklayer, Stonemason.....	\$ 30.40	17.55
-----		
BRQH032-001 06/01/2021		

GALLIA & MEIGS

	Rates	Fringes
Bricklayer, Stonemason.....	\$ 30.40	17.55
-----		
BRQH035-002 06/01/2021		

ALLEN, AUGLAIZE, MERCER and VAN WERT COUNTIES

	Rates	Fringes
Bricklayer, Stonemason.....	\$ 30.40	17.55
-----		
BRQH039-002 06/01/2021		

ADAMS & SCIOTO

	Rates	Fringes
Bricklayer, Stonemason.....	\$ 30.40	17.55
-----		
BRQH040-003 06/01/2021		

ASHLAND, CRAWFORD, HARDIN, HOLMES, MARION, MORROW, RICHLAND,  
WAYNE and WYANDOT (Except Crawford, Ridge, Richland & Tymochtee  
Townships) COUNTIES

	Rates	Fringes
Bricklayer, Stonemason.....	\$ 31.93	22.54

FOOTNOTE: Layout Man and Sawman rate: \$1.00 per hour above  
journeyman rate.  
Free standing stack work ground level to top of stack;  
Sandblasting and laying of carbon masonry material in swing  
stage and/or scaffold; Ramming and spading of plastics and  
gunniting: \$1.50 per hour above journeyman rate.  
"Hot" work: \$2.50 above journeyman rate.

-----  
BROH0044-002 06/01/2021

	Rates	Fringes
Bricklayer, Stonemason COSHOCKTON, FAIRFIELD, GUERNSEY, HOCKING, KNOX, KICKING, MORGAN, MUSKINGUM, NOBLE (Beaver, Buffalo, Seneca & Wayne Townships) & PERRY COUNTIES:.....	\$ 30.40	17.55

-----  
BROH0045-002 06/01/2021

FAYETTE, JACKSON, PIKE, ROSS and VINTON COUNTIES

	Rates	Fringes
Bricklayer, Stonemason.....	\$ 30.40	17.66

-----  
BROH0046-002 06/01/2021

ERIE, HANCOCK, HURON, OTTAWA, SANDUSKY, SENECA, WOOD (Perry &  
Bloom Townships) and WYANDOT (Tymochtee, Crawford, Ridge &  
Richland Townships) COUNTIES & the Islands of Lake Erie north  
of Sandusky

	Rates	Fringes
Bricklayer, Stonemason.....	\$ 30.40	17.55

FOOTNOTE: Layout Man and Sawman rate: \$1.00 per hour above  
journeyman rate.  
Free standing stack work ground level to top of stack;  
Sandblasting and laying of carbon masonry material in swing  
stage and/or scaffold; Ramming and spading of plastics and  
gunniting: \$1.50 per hour above journeyman rate.  
"Hot" work: \$2.50 above journeyman rate.

-----  
BROH0052-001 06/01/2021

ATHENS COUNTY

	Rates	Fringes
Bricklayer, Stonemason.....	\$ 30.40	17.55

-----  
BROH0052-003 06/01/2021

NOBLE (Brookfield, Noble, Center, Sharon, Olive, Enoch, Stock,  
Jackson, Jefferson & Elk Townships) and WASHINGTON COUNTIES

	Rates	Fringes
Bricklayer, Stonemason.....	\$ 30.40	17.55

-----  
BROH0055-003 06/01/2021

DELAWARE, FRANKLIN, MADISON, PICKAWAY and UNION COUNTIES

	Rates	Fringes
Bricklayer, Stonemason.....	\$ 30.40	17.55

-----  
CARP0003-004 05/01/2017

MAHONING & TRUMBULL

	Rates	Fringes
CARPENTER.....	\$ 26.20	17.42

-----  
CARP0069-003 05/01/2017

CARROLL, STARK, TUSCARAWAS & WAYNE

	Rates	Fringes
CARPENTER.....	\$ 25.98	15.98

-----  
CARP0069-006 05/01/2017

COSHOCKTON, HOLMES, KNOX & MORROW

	Rates	Fringes
CARPENTER.....	\$ 24.04	15.29

-----  
CARP0171-002 05/01/2019

BELMONT, COLUMBIANA, HARRISON, JEFFERSON & MONROE

	Rates	Fringes
CARPENTER.....	\$ 27.37	20.02

-----  
CARP0200-002 05/01/2021

ADAMS, ATHENS, DELAWARE, FAIRFIELD, FAYETTE, FRANKLIN, GALLIA,  
GUERNSEY, HIGHLAND, HOCKING, JACKSON, LAWRENCE, LICKING,  
MADISON, MARION, MEIGS, MORGAN, MUSKINGUM, NOBLE, PERRY,  
PICKAWAY, PIKE, ROSS, SCIOTO, UNION, VINTON and WASHINGTON  
COUNTIES

Rates Fringes

CARPENTER.....	\$ 30.28	20.08
Diver.....	\$ 39.41	10.40
PILEDRIIVERMAN.....	\$ 30.28	20.08

-----  
 CARP0248-005 07/01/2008

LUCAS & WOOD

Rates	Fringes
-------	---------

CARPENTER.....	\$ 27.27	14.58
----------------	----------	-------

-----  
 CARP0248-008 07/01/2008

Rates	Fringes
-------	---------

CARPENTER DEFIANCE, FULTON, HANCOCK, HENRY, PAULDING & WILLIAMS COUNTIES.....	\$ 23.71	13.28
--	----------	-------

-----  
 CARP0254-002 05/01/2017

ASHTABULA, CUYAHOGA, GEAUGA & LAKE

Rates	Fringes
-------	---------

CARPENTER.....	\$ 32.40	16.97
----------------	----------	-------

-----  
 CARP0372-002 05/01/2016

ALLEN, AUGLAIZE, HARDIN, MERCER, PUTNAM & VAN WERT

Rates	Fringes
-------	---------

CARPENTER.....	\$ 24.54	18.21
----------------	----------	-------

-----  
 CARP0639-003 05/01/2017

MEDINA, PORTAGE & SUMMIT

Rates	Fringes
-------	---------

CARPENTER.....	\$ 30.42	16.99
----------------	----------	-------

-----  
 CARP0735-002 05/01/2019

ASHLAND, ERIE, HURON, LORAIN & RICHLAND

Rates	Fringes
-------	---------

CARPENTER.....	\$ 26.30	17.91
----------------	----------	-------

-----  
 CARP1311-001 05/01/2017

BROWN, BUTLER, CHAMPAIGN, CLARK, CLERMONT, CLINTON, DARKE,  
 GREENE, HAMILTON, LOGAN, MIAMI, MONTGOMERY, PREBLE, SHELBY &  
 WARREN

Rates	Fringes
-------	---------

Carpenter & Piledrivermen.....	\$ 29.34	15.95
Diver.....	\$ 40.58	9.69

-----  
 CARP1393-002 07/01/2008

CRAWFORD, DEFIANCE, FULTON, HANCOCK, HENRY, LUCAS, OTTAWA,  
 PAULDING, SANDUSKY, SENECA, WILLIAMS & WOOD

Rates	Fringes
-------	---------

Piledrivermen & Diver's Tender...	\$ 27.30	16.05
-----------------------------------	----------	-------

DIVERS - \$250.00 per day

-----  
 CARP1393-003 07/01/2008

ALLEN, AUGLAIZE, HARDIN, MERCER, PUTNAM, VAN WERT & WYANDOT

Rates	Fringes
-------	---------

Piledrivermen & Diver's Tender...	\$ 25.15	15.92
-----------------------------------	----------	-------

DIVERS - \$250.00 per day

-----  
 CARP1871-006 05/01/2017

BELMONT, HARRISON, & MONROE

Rates	Fringes
-------	---------

Diver, Wet.....	\$ 48.11	17.33
Piledrivermen; Diver, Dry.....	\$ 32.07	17.33

-----  
 CARP1871-008 05/01/2017

ASHLAND, ASHTABULA, CUYAHOGA, ERIE, GEAUGA, HURON, LAKE,  
 LORAIN, MEDINA, PORTAGE, RICHLAND & SUMMIT

Rates	Fringes
-------	---------

Diver, Wet.....	\$ 45.80	18.84
Piledrivermen; Diver, Dry.....	\$ 30.53	18.84

-----  
 CARP1871-014 05/01/2017

CARROLL, STARK, TUSCARAWAS & WAYNE

Rates	Fringes
-------	---------

Diver, Wet.....	\$ 38.34	16.95
Piledrivermen; Diver, Dry.....	\$ 25.56	16.95

-----  
 CARP1871-015 05/01/2017

COSHOCTON, HOLMES, KNOX & MORROW

Rates	Fringes
-------	---------

Diver, Wet.....	\$ 37.34	16.07
Piledrivermen; Diver, Dry.....	\$ 24.89	16.07

-----  
 CARP1871-017 05/01/2017

MAHONING & TRUMBULL

Rates	Fringes
-------	---------

Diver, Wet.....	\$ 40.65	17.62
Piledrivermen; Diver, Dry.....	\$ 27.10	17.62

-----  
 CARP2235-012 01/01/2014

COLUMBIANA & JEFFERSON

	Rates	Fringes
PILEDRIVERMAN.....	\$ 31.74	16.41

-----  
 CARP2239-001 07/01/2008

CRAWFORD, OTTAWA, SANDUSKY, SENECA & WYANDOT

	Rates	Fringes
CARPENTER.....	\$ 23.71	13.28

-----  
 ELEC0008-002 05/24/2021

DEFIANCE, FULTON, HANCOCK, HENRY, LUCAS, OTTAWA, PAULDING,  
 PUTNAM, SANDUSKY, SENECA, WILLIAMS & WOOD

	Rates	Fringes
CABLE SPLICER.....	\$ 38.98	18.96
ELECTRICIAN.....	\$ 43.33	26.61

-----  
 ELEC0032-003 06/01/2022

ALLEN, AUGLAIZE, HARDIN, LOGAN, MERCER, SHELBY, VAN WERT &  
 WYANDOT (Crawford, Jackson, Marseilles, Mifflin, Ridgeland,  
 Ridge & Salem Townships)

	Rates	Fringes
ELECTRICIAN.....	\$ 33.07	21.36

-----  
 ELEC0038-002 04/25/2022

CUYAHOGA, GEAUGA (Bainbridge, Chester & Russell Townships) &  
 LORAIN (Columbia Township)

	Rates	Fringes
ELECTRICIAN Excluding Sound & Communications Work.....	\$ 40.88	22.75

FOOTNOTES;  
 a. 6 Paid Holidays: New Year's Day; Memorial Day; July 4th;  
 Labor Day; Thanksgiving Day; & Christmas Day  
 b. 1 week's paid vacation for 1 year's service; 2 weeks' paid  
 vacation for 2 or more years' service

-----  
 ELEC0038-008 04/25/2022

CUYAHOGA, GEAUGA (Bainbridge, Chester & Russell Townships) &  
 LORAIN (Columbia Township)

	Rates	Fringes
Sound & Communication Technician		
Communications Technician...\$	29.30	13.29
Installer Technician.....\$	28.05	13.25

FOOTNOTES;  
 a. 6 Paid Holidays: New Year's Day; Memorial Day; July 4th;  
 Labor Day; Thanksgiving Day; & Christmas Day  
 b. 1 week's paid vacation for 1 year's service; 2 weeks' paid  
 vacation for 2 or more years' service

-----  
 ELEC0064-003 11/29/2021

COLUMBIANA (Butler, Fairfield, Perry, Salem & Unity Townships)  
 MAHONING (Austintown, Beaver, Berlin, Boardman, Canfield,  
 Ellsworth, Coitsville, Goshen, Green, Jackson, Poland,  
 Springfield & Youngstown Townships), & TRUMBULL (Hubbard &  
 Liberty Townships)

	Rates	Fringes
ELECTRICIAN.....	\$ 36.10	18.17

-----  
 ELEC0071-001 01/01/2019

ASHLAND, CHAMPAIGN, CLARK, COSHOCTON, CRAWFORD, DELAWARE,  
 FAIRFIELD, FAYETTE, FRANKLIN, GUERNSEY, HIGHLAND, HOCKING,  
 JACKSON (Coal, Jackson, Liberty, Milton, Washington & Wellston  
 Townships), KNOX, LICKING, MADISON, MARION, MONROE, MORGAN,  
 MORROW, MUSKINGUM, NOBLE, PERRY, PICKAWAY, PIKE (Beaver,  
 Benton, Jackson, Mifflin, Pebble, Peepee, Perry & Seal  
 Townships), RICHLAND, ROSS, TUSCARAWAS (Auburn, Bucks, Clay,  
 Jefferson, Oxford, Perry, Salem, Rush, Washington & York  
 Townships), UNION, VINTON (Clinton, Eagle, Elk, Harrison,  
 Jackson, Richland & Swan Townships), and WASHINGTON COUNTIES

	Rates	Fringes
Line Construction		
Equipment Operators.....\$	33.62	13.40
Groundmen.....\$	24.17	11.32
Linemen & Cable Splicers...\$	38.27	14.42

-----  
 ELEC0071-004 01/01/2019

AUGLAIZE, CLINTON, DARKE, GREENE, LOGAN, MERCER, MIAMI,  
 MONTGOMERY, PREBLE, and SHELBY COUNTIES

	Rates	Fringes
Line Construction		
Equipment Operator.....\$	33.62	13.40
Groundman.....\$	24.17	11.32
Lineman & Cable Splicers...\$	38.27	14.42

-----  
 ELEC0071-005 12/31/2018

ASHTABULA, CUYAHOGA, GEAUGA, LAKE & LORAIN

	Rates	Fringes
LINE CONSTRUCTION: Equipment Operator		
DOT/Traffic Signal & Highway Lighting Projects...	\$ 32.44	14.10
Municipal Power/Transit Projects.....	\$ 40.10	16.42
LINE CONSTRUCTION: Groundman		
DOT/Traffic Signal & Highway Lighting Projects...	\$ 25.06	12.26
Municipal Power/Transit Projects.....	\$ 31.19	14.11
LINE CONSTRUCTION: Linemen/Cable Splicer		
DOT/Traffic Signal & Highway Lighting Projects...	\$ 36.13	15.03
Municipal Power/Transit Projects.....	\$ 44.56	17.58

-----  
 ELEC0071-008 01/01/2019

COLUMBIANA, MAHONING, and TRUMBULL COUNTIES

	Rates	Fringes
Line Construction		
Equipment Operator.....	\$ 33.62	13.40
Groundman.....	\$ 24.17	11.32
Lineman & Cable Splicers....	\$ 38.27	14.42

-----  
 ELEC0071-010 01/01/2019

BELMONT, CARROLL, HARRISON, HOLMES, JEFFERSON, MEDINA, PORTAGE, STARK, SUMMIT, and WAYNE COUNTIES

	Rates	Fringes
Line Construction		
Equipment Operator.....	\$ 33.62	13.40
Groundman.....	\$ 24.17	11.32
Lineman & Cable Splicers....	\$ 38.27	14.42

-----  
 ELEC0071-013 01/01/2019

BROWN, BUTLER, CLERMONT, HAMILTON, and WARREN COUNTIES

	Rates	Fringes
Line Construction		
Equipment Operator.....	\$ 33.62	13.40
Groundman.....	\$ 24.17	11.32
Lineman & Cable Splicers....	\$ 38.27	14.42

-----  
 ELEC0071-014 01/01/2019

ADAMS, ATHENS, GALLIA, JACKSON (Bloomfield, Franklin, Hamilton, Lick, Jefferson, Scioto & Madison Townships), LAWRENCE, MEIGS, PIKE (Camp Creek, Marion, Newton, Scioto, Sunfish & Union Townships), SCIOTO & VINTON (Brown, Knox, Madison, Vinton & Wilkesville Townships)

	Rates	Fringes
Line Construction		
Equipment Operator.....	\$ 33.62	13.40
Groundman.....	\$ 24.17	11.32
Lineman & Cable Splicers....	\$ 38.27	14.42

-----  
 ELEC0082-002 11/29/2021

CLINTON, DARKE, GREENE, MIAMI, MONTGOMERY, PREBLE & WARREN (Wayne, Clear Creek & Franklin Townships)

	Rates	Fringes
ELECTRICIAN.....	\$ 33.25	20.84

-----  
 \* ELEC0082-006 11/29/2021

CLINTON, DARKE, GREENE, MIAMI, MONTGOMERY, PREBLE & WARREN (Wayne, Clear Creek & Franklin Townships)

	Rates	Fringes
Sound & Communication Technician		
Cable Puller.....	\$ 12.98 **	3.89
Installer/Technician.....	\$ 25.95	12.27

-----  
 ELEC0129-003 02/28/2022

LORAIN (Except Columbia Township) & MEDINA (Litchfield & Liverpool Townships)

	Rates	Fringes
ELECTRICIAN.....	\$ 37.00	18.23

-----  
 ELEC0129-004 02/28/2022

ERIE & HURON (Lyme, Ridgefield, Norwalk, Townsend, Wakeman, Sherman, Peru, Bronson, Hartland, Clarksfield, Norwich, Greenfield, Fairfield, Fitchville & New London Townships)

	Rates	Fringes
ELECTRICIAN.....	\$ 37.00	18.23

-----  
 ELEC0141-003 09/01/2019

BELMONT COUNTY

	Rates	Fringes
CABLE SPLICER.....	\$ 30.63	25.87
ELECTRICIAN.....	\$ 30.38	25.87

-----  
 ELEC0212-003 11/26/2018

BROWN, CLERMONT & HAMILTON

	Rates	Fringes
Sound & Communication Technician.....	\$ 24.35	10.99

\* ELEC0212-005 06/06/2022

BROWN, CLERMONT, and HAMILTON COUNTIES

	Rates	Fringes
ELECTRICIAN.....	\$ 33.29	21.15

ELEC0245-001 01/01/2022

ALLEN, HARDIN, VAN WERT & WYANDOT (Crawford, Jackson, Marseilles, Mifflin, Richland, Ridge & Salem Townships)

	Rates	Fringes
Line Construction		
Equipment Operator.....	\$ 32.37	26.5%+7.25
Groundman Truck Driver.....	\$ 18.60	26.5%+7.25
Lineman.....	\$ 42.52	26.5%+7.25

FOOTNOTE: a. Half day's Paid Holiday: The last 4 hours of the workday prior to Christmas or New Year's Day

ELEC0245-003 01/01/2022

DEFIANCE, FULTON, HANCOCK, HENRY, HURON, LUCAS, OTTAWA, PAULDING, PUTNAM, SANDUSKY, SENECA, WILLIAMS, and WOOD COUNTIES

	Rates	Fringes
Line Construction		
Cable Splicer.....	\$ 48.90	26.5%+7.25
Groundman/Truck Driver.....	\$ 18.60	26.5%+7.25
Heli-arc Welding.....	\$ 40.76	26.5%+7.25
Lineman.....	\$ 45.52	26.5%+7.25
Operator - Class 1.....	\$ 34.18	26.5%+7.25
Operator - Class 2.....	\$ 28.32	26.5%+7.25
Traffic Signal & Lighting Technician.....	\$ 38.27	26.5%+7.25

FOOTNOTE: a. 6 Observed Holidays: New Year's Day; Memorial Day; Independence Day; Labor Day; Thanksgiving Day; & Christmas Day. Employees who work on a holiday shall be paid at a rate of double their applicable classified straight-time rates for the work performed on such holiday.

ELEC0245-004 01/01/2022

ERIE COUNTY

	Rates	Fringes
Line Construction		
Cable Splicer.....	\$ 49.14	26.75%+6.75
Cablesplicer.....	\$ 48.90	26.5%+7.25
Groundman/Truck Driver.....	\$ 18.60	26.5%+7.25
Lineman.....	\$ 42.52	26.5%+7.25
Operator - Class 1.....	\$ 34.14	26.5%+7.25
Operator - Class 2.....	\$ 28.32	26.5%+7.25

FOOTNOTE: a. 6 Observed Holidays: New Year's Day; Memorial Day; Independence Day; Labor Day; Thanksgiving Day; & Christmas Day. Employees who work on a holiday shall be paid at a rate of double their applicable classified straight-time rates for the work performed on such holiday.

ELEC0246-001 11/01/2021

	Rates	Fringes
ELECTRICIAN.....	\$ 39.50	77%+31.62

FOOTNOTE: a. 1 1/2 Paid Holidays: The last scheduled workday prior to Christmas & 4 hours on Good Friday.

ELEC0306-005 05/28/2018

MEDINA (Brunswick, Chatham, Granger, Guilford, Harrisville, Hinckley, Homer, Lafayette, Medina, Montville, Sharon, Spencer, Wadsworth, Westfield & York Townships), PORTAGE (Atwater, Aurora, Brimfield, Deerfield, Franklin, Mantua, Randolph, Ravenna, Rootstown, Shalersville, Streetsboro & Suffield Townships), SUMMIT & WAYNE (Baughman, Canaan, Chester, Chippewa, Congress, Green, Milton, & Wayne Townships)

	Rates	Fringes
CABLE SPLICER.....	\$ 36.87	16.56
ELECTRICIAN.....	\$ 34.54	5%+18.06

ELEC0317-002 05/30/2022

GALLIA & LAWRENCE

	Rates	Fringes
CABLE SPLICER.....	\$ 32.68	18.13
ELECTRICIAN.....	\$ 35.85	28.25

ELEC0540-005 12/27/2021

CARROLL (Northern half, including Fox, Harrison, Rose & Washington Townships), COLUMBIANA (Knox Township), HOLMES, MAHONING (Smith Township), STARK, TUSCARAWAS (North of Auburn, Clay, Rush & York Townships), and WAYNE (South of Baughman, Chester, Green & Wayne Townships) COUNTIES

	Rates	Fringes
ELECTRICIAN.....	\$ 35.28	22.63

ELEC0573-003 05/30/2022

ASHTABULA (Colebrook, Wayne, Williamsfield, Orwell & Windsor Townships), GAUGA (Auburn, Middlefield, Parkman & Troy Townships), MAHONING (Milton Township), PORTAGE (Charlestown, Edinburg, Freedom, Hiram, Nelson, Palmyra, Paris & Windham



Townships), and TRUMBULL (Except Liberty & Hubbard Townships)

	Rates	Fringes
ELECTRICIAN.....	\$ 37.30	20.50

ELEC0575-001 11/29/2021

ADAMS, FAYETTE, HIGHLAND, HOCKING, JACKSON (Bloomfield, Franklin, Hamilton, Jefferson, Lick, Madison, Scioto, Coal, Jackson, Liberty, Milton & Washington Townships), PICKAWAY (Deer Creek, Perry, Pickaway, Salt Creek & Wayne Townships), PIKE (Beaver, Benton, Jackson, Mifflin, Pebble, PeePee, Perry, Seal, Camp Creek, Newton, Scioto, Sunfish, Union & Marion Townships), ROSS, SCIOTO & VINTON (Clinton, Eagle, Elk, Harrison, Jackson, Richland & Swan Townships)

	Rates	Fringes
ELECTRICIAN.....	\$ 35.00	19.76

ELEC0648-001 08/30/2021

BUTLER and WARREN COUNTIES (Deerfield, Hamilton, Harlan, Massie, Salem, Turtle Creek, Union & Washington Townships)

	Rates	Fringes
CABLE SPLICER.....	\$ 30.50	18.23
ELECTRICIAN.....	\$ 32.00	20.79

ELEC0673-004 05/30/2022

ASHTABULA (Excluding Orwell, Colebrook, Williamsfield, Wayne & Windsor Townships), GAUGA (Burton, Chardon, Claridon, Hamden, Huntsburg, Montville, Munson, Newbury & Thompson Townships) and LAKE COUNTIES

	Rates	Fringes
CABLE SPLICER.....	\$ 33.81	21.47
ELECTRICIAN.....	\$ 34.71	23.36

ELEC0683-002 05/30/2022

CHAMPAIGN, CLARK, DELAWARE, FAIRFIELD, FRANKLIN, MADISON, PICKAWAY (Circleville, Darby, Harrison, Jackson, Madison, Monroe, Mühlenberg, Scioto, Walnut & Washington Townships), and UNION COUNTIES

	Rates	Fringes
CABLE SPLICER.....	\$ 37.50	23.15
ELECTRICIAN.....	\$ 36.50	23.15

ELEC0688-003 05/30/2022

ASHLAND, CRAWFORD, HURON (Richmond, New Haven, Ripley & Greenwich Townships), KNOX (Liberty, Clinton, Union, Howard, Monroe, Middleberry, Morris, Wayne, Berlin, Pike, Brown & Jefferson Townships), MARION, MORROW, RICHLAND and WYANDOT (Sycamore, Crane, Eden, Pitt, Antrim & Tymoctee Townships) COUNTIES

	Rates	Fringes
ELECTRICIAN.....	\$ 32.30	21.83

ELEC0972-002 06/01/2021

ATHENS, MEIGS, MONROE, MORGAN, NOBLE, VINTON (Brown, Knox, Madison, Vinton & Wilkesville Townships), and WASHINGTON COUNTIES

	Rates	Fringes
CABLE SPLICER.....	\$ 37.35	27.81
ELECTRICIAN.....	\$ 34.30	27.62

ELEC1105-001 05/30/2022

COSHOCOTON, GUERNSEY, KNOX (Jackson, Clay, Morgan, Miller, Milford, Hilliar, Butler, Harrison, Pleasant & College Townships), LICKING, MUSKINGUM, PERRY, and TUSCARAWAS (Auburn, York, Clay, Jefferson, Rush, Oxford, Washington, Salem, Perry & Bucks Townships) COUNTIES

	Rates	Fringes
ELECTRICIAN.....	\$ 35.25	22.18

ENGI0018-003 05/01/2019

ASHTABULA, CUYAHOGA, ERIE, GAUGA, LAKE, LORAIN, MEDINA, PORTAGE, and SUMMIT COUNTIES

	Rates	Fringes
POWER EQUIPMENT OPERATOR		
GROUP 1.....	\$ 38.63	15.20
GROUP 2.....	\$ 38.53	15.20
GROUP 3.....	\$ 37.49	15.20
GROUP 4.....	\$ 36.27	15.20
GROUP 5.....	\$ 30.98	15.20
GROUP 6.....	\$ 38.88	15.20
GROUP 7.....	\$ 39.13	15.20

OPERATING ENGINEER CLASSIFICATIONS

GROUP 1 - Air Compressor on Steel Erection; Barrier Moving Machine; Boiler Operator on Compressor or Generator when mounted on a Rig; Cableway; Combination Concrete Mixer & Tower; Concrete Plant (over 4 yd. Capacity); Concrete Pump; Crane (All Types, Including Boom Truck, Cherry Picker); Crane-Compact, Track or Rubber over 4,000 lbs. capacity; Cranes-Self Erecting, Stationary, Track or Truck (All Configurations); Derrick; Dragline; Dredge (Dipper, Clam or Suction); Elevating Grader or Euclid Loader; Floating Equipment (All Types); Gradall; Helicopter Crew (Operator-Hoist or Winch); Hoe (all types); Hoisting Engine on Shaft or Tunnel Work; Hydraulic Gantry (Lifting System);

Industrial-Type Tractor; Jet Engine Dryer (D8 or D9) Diesel Tractor; Locomotive (Standard Gauge); Maintenance Operator Class A; Mixer, Paving (Single or Double Drum); Mucking Machine; Multiple Scraper; Piledriving Machine (All Types); Power Shovel; Prentice Loader; Quad 9 (Double Pusher); Rail Tamper (with auto lifting & aligning device); Refrigerating Machine (Freezer Operation); Rotary Drill, on Caisson work; Rough Terrain Fork Lift with Winch/Hoist; Side-Boom; Slip-Form Paver; Tower Derrick; Tree Shredder; Trench Machine (Over 24" wide); Truck Mounted Concrete Pump; Tug Boat; Tunnel Machine and/or Mining Machine; Wheel Excavator; and Asphalt Plant Engineer (Cleveland District Only).

GROUP 2 - Asphalt Paver; Automatic Subgrader Machine, Self-Propelled (CMI Type); Bobcat Type and/or Skid Steer Loader with Hoe Attachment Greater than 7,000 lbs.; Boring Machine More than 48"; Bulldozer; Endloader; Horizontal Directional Drill (Over 50,000 ft lbs thrust); Hydro Milling Machine; Kolman-type Loader (production type-Dirt); Lead Greaseman; Lighting & Traffic Signal Installation Equipment (includes all groups or classifications); Material Transfer Equipment (Shuttle Buggy) Asphalt; Pettibone-Rail Equipment; Power Grader; Power Scraper; Push Cat; Rotomill (all), Grinders & Planers of All types; Trench Machine (24" wide & under); Vermeer type Concrete Saw; and Maintenance Operators (Portage and Summit Counties Only).

GROUP 3 - A-Frame; Air Compressor on Tunnel Work (low pressure); Asphalt Plant Engineer (Portage and Summit Counties Only); Bobcat-type and/or Skid Steer Loader with or without Attachments; Highway Drills (all types); Locomotive (narrow gauge); Material Hoist/Elevator; Mixer, Concrete (more than one bag capacity); Mixer, one bag capacity (Side Loader); Power Boiler (Over 15 lbs. Pressure) Pump Operator Installing & operating Well Points; Pump (4" & over discharge); Roller, Asphalt; Rotovator (lime soil stabilizer); Switch & Tie Tampers (without lifting & aligning device); Utility Operator (Small equipment); Welding Machines; and Railroad Tie Inserter/Remover; Articulating/straight bed end dumps if assigned (minus \$4.00 per hour).

GROUP 4 - Backfiller; Ballast Re-locator; Bars, Joint & Mesh Installing Machine; Batch Plant; Boring Machine Operator (48" or less); Bull Floats; Burlap & Curing Machine; Concrete Plant (capacity 4 yd. & under); Concrete Saw (Multiple); Conveyor (Highway); Crusher; Deckhand; Farm-type Tractor with attachments (highway); Finishing Machine; Fireperson, Floating Equipment (all types); Forklift; Form Trencher; Hydro Hammer expect masonry; Hydro Seeder; Pavement Breaker; Plant Mixer; Post Driver; Post Hole Digger (Power Auger); Power Brush Burner; Power Form Handling Equipment; Road Widening Trencher; Roller (Brick, Grade & Macadam); Self-Propelled Power Spreader; Self-Propelled Power Subgrader; Steam Fireperson; Tractor (Pulling Sheepfoot, Roller or Grader); and Vibratory Compactor with Integral Power.

GROUP 5 - Compressor (Portable, Sewer, Heavy & Highway); Drum Fireperson (Asphalt Plant); Generator; Masonry Fork Lift; Inboard-Outboard Motor Boat Launch; Oil Heater (asphalt plant); Oiler/Helper; Power Driven Heater; Power Sweeper & Scrubber; Pump (under 4" discharge); Signalperson; Tire Repairperson; VAC/ALLS; Cranes - Compact, track or rubber under 4,000 pound capacity; fueling and greasing; and Chainmen.

GROUP 6 - Master Mechanic & Boom from 150 to 180.

GROUP 7 - Boom from 180 and over.

-----  
 ENGI0018-004 05/01/2019

ADAMS, ALLEN, ASHLAND, ATHENS, AUGLAIZE, BELMONT, BROWN, BUTLER, CARROLL, CHAMPAIGN, CLARK, CLERMONT, CLINTON, COSHOCTON, CRAWFORD, DARKE, DEFIANCE, DELAWARE, FAIRFIELD, FAYETTE, FRANKLIN, FULTON, GALLIA, GREENE, GUERNSEY, HAMILTON, HANCOCK, HARDIN, HARRISON, HENRY, HIGHLAND, HOCKING, HOLMES, HURON, JACKSON, JEFFERSON, KNOX, LAWRENCE, LICKING, LOGAN, LUCAS, MADISON, MARION, MEIGS, MERCER, MIAMI, MONROE, MONTGOMERY, MORGAN, MORROW, MUSKINGUM, NOBLE, OTTAWA, PAULDING, PERRY, PICKAWAY, PIKE, PREBLE, PUTNAM, RICHLAND, ROSS, SANDUSKY, SCIOTO, SENECA, SHELBY, STARK, TUSCARAWAS, UNION, VAN WERT, VINTON, WARREN, WASHINGTON, WAYNE, WILLIAMS, WOOD, and YANDOT COUNTIES

	Rates	Fringes
POWER EQUIPMENT OPERATOR		
GROUP 1.....	\$ 37.14	15.20
GROUP 2.....	\$ 37.02	15.20
GROUP 3.....	\$ 35.98	15.20
GROUP 4.....	\$ 34.80	15.20
GROUP 5.....	\$ 29.34	15.20
GROUP 6.....	\$ 37.39	15.20
GROUP 7.....	\$ 37.64	15.20

OPERATING ENGINEER CLASSIFICATIONS

GROUP 1 - Air Compressor on Steel Erection; Barrier Moving Machine; Boiler Operator on Compressor or Generator when mounted on a Rig; Cableway; Combination Concrete Mixer & Tower; Concrete Plant (over 4 yd. Capacity); Concrete Pump; Crane (All Types, Including Boom Truck, Cherry Picker); Crane-Compact, Track or Rubber over 4,000 lbs. capacity; Cranes-Self Erecting, Stationary, Track or Truck (All Configurations); Derrick; Dragline; Dredge (Dipper, Clam or Suction); Elevating Grader or Euclid Loader; Floating Equipment (All Types); Gradall; Helicopter Crew (Operator-Hoist or Winch); Hoe (all types); Hoisting Engine on Shaft or Tunnel Work; Hydraulic Gantry (Lifting System); Industrial-Type Tractor; Jet Engine Dryer (D8 or D9) Diesel Tractor; Locomotive (Standard Gauge); Maintenance Operator Class A; Mixer, Paving (Single or Double Drum); Mucking Machine; Multiple Scraper; Piledriving Machine (All Types); Power Shovel; Prentice Loader; Quad 9 (Double Pusher); Rail Tamper (with auto lifting & aligning device); Refrigerating Machine (Freezer Operation); Rotary Drill, on Caisson work; Rough Terrain Fork Lift with Winch/Hoist; Side-Boom; Slip-Form Paver; Tower Derrick; Tree Shredder; Trench Machine (Over 24" wide); Truck Mounted Concrete Pump; Tug Boat; Tunnel Machine and/or Mining Machine; and Wheel Excavator.

GROUP 2 - Asphalt Paver; Automatic Subgrader Machine, Self-Propelled (CMI Type); Bobcat Type and/or Skid Steer

Loader with Hoe Attachment Greater than 7,000 lbs.; Boring Machine More than 48"; Bulldozer; Endloader; Hydro Milling Machine; Horizontal Directional Drill (over 50,000 ft. lbs. thrust); Kolman-type Loader (production type-Dirt); Lead Greaseman; Lighting & Traffic Signal Installation Equipment (includes all groups or classifications); Material Transfer Equipment (Shuttle Buggy) Asphalt; Pettibone-Rail Equipment; Power Grader; Power Scraper; Push Cat; Rotomill (all), Grinders & Planers of All types; Trench Machine (24" wide & under); and Vermeer type Concrete Saw.

GROUP 3 - A-Frame; Air Compressor on Tunnel Work (low pressure); Asphalt Plant Engineer; Bobcat-type and/or Skid Steer Loader with or without Attachments; Highway Drills (all types); Locomotive (narrow gauge); Material Hoist/Elevator; Mixer, Concrete (more than one bag capacity); Mixer, one bag capacity (Side Loader); Power Boiler (Over 15 lbs. Pressure) Pump Operator installing & operating Well Points; Pump (4" & over discharge); Railroad Tie Insert/Remover; Roller, Asphalt; Rotovator (lime soil stabilizer); Switch & Tie Tampers (without lifting & aligning device); Utility Operator (Small equipment); and Welding Machines; Articulating/straight bed end dumps if assigned (minus \$4.00 per hour).

GROUP 4 - Backfiller; Ballast Re-locator; Bars, Joint & Mesh Installing Machine; Batch Plant; Boring Machine Operator (48" or less); Bull Floats; Burlap & Curing Machine; Concrete Plant (capacity 4 yd. & under); Concrete Saw (Multiple); Conveyor (Highway); Crusher; Deckhand; Farm-type Tractor with attachments (highway); Finishing Machine; Fireperson, Floating Equipment (all types); Fork Lift; Form Trencher; Hydro Hammer expect masonary; Hydro Seeder; Pavement Breaker; Plant Mixer; Post Driver; Post Hole Digger (Power Auger); Power Brush Burner; Power Form Handling Equipment; Road Widening Trencher; Roller (Brick, Grade & Macadam); Self-Propelled Power Spreader; Self-Propelled Power Subgrader; Steam Fireperson; Tractor (Pulling Sheepfoot, Roller or Grader); and Vibratory Compactor with Integral Power.

GROUP 5 - Compressor (Portable, Sewer, Heavy & Highway); Drum Fireperson (Asphalt Plant); Generator; Masonary Forklift; Inboard-Outboard Motor Boat Launch; Oil Heater (asphalt plant); Oiler/Helper; Power Driven Heater; Power Sweeper & Scrubber; Pump (under 4" discharge); Signalperson; Tire Repairperson; VAC/ALLS; Cranes - Compact, track or rubber under 4,000 pound capacity; fueling and greasing; and Chainmen.

GROUP 6 - Master Mechanic & Boom from 150 to 180.

GROUP 7 - Boom from 180 and over.

-----  
 ENGI0066-023 06/01/2017

COLUMBIANA, MAHONING & TRUMBULL COUNTIES

	Rates	Fringes
POWER EQUIPMENT OPERATOR		
ASBESTOS; HAZARDOUS/TOXIC WASTE PROJECTS		
GROUP 1 - A & B.....	\$ 39.23	19.66
ASBESTOS; HAZARDOUS/TOXIC WASTE PROJECTS		
GROUP 2 - A & B.....	\$ 38.90	19.66
ASBESTOS; HAZARDOUS/TOXIC WASTE PROJECTS		
GROUP 3 - A & B.....	\$ 34.64	19.66
ASBESTOS; HAZARDOUS/TOXIC WASTE PROJECTS		
GROUP 4 - A & B.....	\$ 30.70	19.66
ASBESTOS; HAZARDOUS/TOXIC WASTE PROJECTS		
GROUP 5 - A & B.....	\$ 27.30	19.66
HAZARDOUS/TOXIC WASTE PROJECTS		
GROUP 1 - C & D.....	\$ 35.96	19.66
HAZARDOUS/TOXIC WASTE PROJECTS		
GROUP 2 - C & D.....	\$ 35.66	19.66
HAZARDOUS/TOXIC WASTE PROJECTS		
GROUP 3 - C & D.....	\$ 31.76	19.66
HAZARDOUS/TOXIC WASTE PROJECTS		
GROUP 4 - C & D.....	\$ 28.14	19.66
HAZARDOUS/TOXIC WASTE PROJECTS		
GROUP 5 - C & D.....	\$ 25.03	19.66
ALL OTHER WORK		
GROUP 1.....	\$ 32.69	19.66
ALL OTHER WORK		
GROUP 2.....	\$ 32.42	19.66
ALL OTHER WORK		
GROUP 3.....	\$ 28.87	19.66
ALL OTHER WORK		
GROUP 4.....	\$ 25.58	19.66
ALL OTHER WORK		
GROUP 5.....	\$ 22.75	19.66

GROUP 1 - Rig, Pile Driver or Caisson Type; & Rig, Pile Hydraulic Unit Attached

GROUP 2 - Asphalt Heater Planer; Backfiller with Drag Attachment; Backhoe; Backhoe with Shear attached; Backhoe-Rear Pivotal Swing; Batch Plant-Central Mix Concrete; Batch Plant, Portable concrete; Berm Builder-Automatic; Boat Derrick; Boat-Tug; Boring Machine Attached to Tractor; Bulldozer; C.M.I. Road Builder & Similar Type; Cable Placer & Layer; Carrier-Straddle; Carryall-Scraper or Scoop; Chicago Boom; Compactor with Blade Attached; Concrete Saw (Vermeer or similar type); Concrete Spreader Finisher; Combination, Bidwell Machine; Crane; Crane-Electric Overhead; Crane-Rough Terrain; Crane-Side Boom; Crane-Truck; Crane-Tower; Derrick-Boom; Derrick-Car; Digger-Wheel (Not trencher or road widener); Double Nine; Drag Line; Dredge; Drill-Kenny or Similar Type; Easy Pour Median Barrier Machine (or similar type); Electromatic; Frankie Pile; Gradall; Grader; Gurry; Self-Propelled; Heavy Equipment Robotics Operator/Mechanic; Hoist-Monorail; Hoist-Stationary & Mobile Tractor; Hoist, 2 or 3 drum; Horizontal Directional Drill Operator; Jackall; Jumbo Machine; Kocal & Kuhlman; Land-Seagoing Vehicle; Loader, Elevating; Loader, Front End; Loader, Skid Steer; Locomotive; Mechanic/Welder; Metro Chip Harvester with Boom; Mucking Machine; Paver-Asphalt Finishing Machine;

Paver-Road Concrete; Paver-Slip Form (C.M.I. or similar);  
 Place Crete Machine with Boom; Post Driver (Carrier  
 mounted); Power Driven Hydraulic Pump & Jack (When used in  
 Slip Form or Lift Slab Construction); Pump Crete Machine;  
 Regulator-Ballast; Hydraulic Power Unit not attached to Rig  
 for Pile Drillings; Rigs-Drilling; Roto Mill or similar  
 Full Lane (8' Wide & Over); Roto Mill or similar type  
 (Under 8'); Shovel; Slip Form Curb Machine; Speedwing;  
 Spikemaster; Stonecrusher; Tie Puller & Loader; Tie Tamper;  
 Tractor-Double Boom; Tractor with Attachments; Truck-Boom;  
 Truck-Tire; Trench Machine; Tunnel Machine (Mark 21 Java  
 or similar); & Whirley (or similar type)

GROUP 3 - Asphalt Plant; Bending Machine (Pipeline or similar  
 type); Boring machine, Motor Driven; Chip Harvester  
 without Boom; Cleaning Machine, Pipeline Type; Coating  
 Machine, Pipeline Type; Compactor; Concrete Belt Placer;  
 Concrete Finisher; Concrete Planer or Asphalt; Concrete  
 Spreader; Elevator; Fork Lift (Home building only); Fork  
 lift & Lulls; Fork Lift Walk Behind (Hoisting over 1 buck  
 high); Form Line Machine; Grease Truck operator; Grout  
 Pump; Gunnite Machine; Horizontal Directional Drill  
 Locator; Single Drum Hoist with or without Tower; Huck  
 Bolting Machine; Hydraulic Scaffold (Hoisting building  
 materials); Paving Breaker (Self-propelled or Ridden);  
 Pipe Dream; Pot Fireperson (Power Agitated); Refrigeration  
 Plant; Road Widener; Roller; Sasgen Derrick; Seeding  
 Machine; Soil Stabilizer (Pump type); Spray Cure Machine,  
 Self-Propelled; Straw Blower Machine; Sub-Grader; Tube  
 Finisher or Broom C.M.I. or similar type; & Tugger Hoist

GROUP 4 - Air Curtain Destructor & Similar Type; Batch  
 Plant-Job Related; Boiler Operator; Compressor; Conveyor;  
 Curb Builder, self-propelled; Drill Wagon; Generator Set;  
 Generator-Steam; Heater-Portable Power; Hydraulic  
 Manipulator Crane; Jack-Hydraulic Power driven;  
 Jack-Hydraulic (Railroad); Ladavator; Minor Machine  
 Operator; Mixer-Concrete; Mulching Machine; Pin Puller;  
 Power Broom; Pulverizer; Pump; Road Finishing Machine (Pull  
 Type); Saw-Concrete-Self-Propelled (Highway Work); Signal  
 Person; Spray Cure Machine-Motor Powered; Stump Cutter;  
 Tractor; Trencher Form; Water Blaster; Steam Jenny;  
 Syphon; Vibrator-Gasoline; & Welding Machine

GROUP 5 - Brakeperson; Fireperson; & Oiler

-----  
 IRON0017-002 05/01/2022

ASHTABULA (North of Route 6, starting at the Geauga County  
 Line, proceeding east to State Route 45), CUYAHOGA, ERIE  
 (Eastern 2/3), GEauga, HURON (East of a line drawn from the  
 north border through Monroeville & Willard), LAKE, LORAIN,  
 MEDINA (North of Old Rte. #224), PORTAGE (West of a line from  
 Middlefield to Shalersville to Deerfield), and SUMMIT (North of  
 Old Rte. #224, including city limits of Barberton) COUNTIES

Rates Fringes

IRONWORKER  
 Ornamental, Reinforcing, &  
 Structural.....\$ 34.33 27.51

-----  
 IRON0017-010 05/01/2022

ASHTABULA (Eastern part from Lake Erie on the north to route  
 #322 on the south to include Conneaut, Kingsville, Sheffield,  
 Denmark, Dorset, Cherry Valley, Wayne, Monroe, Pierpont,  
 Richmond, Andover & Williamsfield Townships)

Rates Fringes

IRONWORKER  
 Structural, including  
 metal building erection &  
 Reinforcing.....\$ 34.33 27.51

-----  
 IRON0044-001 06/01/2022

ADAMS (Western Part), BROWN, BUTLER (Southern Part), CLERMONT,  
 CLINTON (South of a line drawn from Blanchester to Lynchburg),  
 HAMILTON, HIGHLAND (Excluding eastern one-fifth & portion of  
 county inside lines drawn from Marshall to Lynchburg from the  
 northern county line through E. Monroe to Marshall) and WARREN  
 (South of a line drawn from Blanchester through Morrow to the  
 west county line) COUNTIES

Rates Fringes

IRONWORKER, REINFORCING.....\$ 32.37 22.30  
 Beyond 30-mile radius of  
 Hamilton County Courthouse..\$ 28.67 21.20  
 Up to & including 30-mile  
 radius of Hamilton County  
 Courthouse.....\$ 27.60 20.70

-----  
 IRON0044-002 06/01/2022

CLINTON (South of a line drawn from Blanchester to Lynchburg),  
 HAMILTON, HIGHLAND (Excluding eastern one-fifth & portion of  
 county inside lines drawn from Marshall to Lynchburg from the  
 northern county line through E. Monroe to Marshall) & WARREN  
 (South of a line drawn from Blanchester through Morrow to the  
 west county line)

Rates Fringes

IRONWORKER  
 Fence Erector.....\$ 30.28 22.30  
 Ornamental; Structural.....\$ 31.87 22.30

-----  
 IRON0055-003 07/01/2021

CRAMFORD (Area Between lines drawn from where Hwy #598 & #30  
 meet through N. Liberty to the northern border & from said Hwy  
 junction point due west to the border), DEFIANCE (S. of a line  
 drawn from where Rte. #66 meets the northern line through  
 Independence to the eastern county border), ERIE (Western 1/3),  
 FULTON, HANCOCK, HARDIN (North of a line drawn from Maysville  
 to a point 4 miles south of the northern line on the eastern  
 line), HENRY, HURON (West of a line drawn from the northern  
 border through Monroeville & Willard), LUCAS, OTTAWA, PUTNAM  
 (East of a line drawn from the northern border down through  
 Miller City to where #696 meets the southern border), SANDUSKY,  
 SENECA, WILLIAMS (East of a line drawn from Pioneer through  
 Stryker to the southern border), WOOD & WYANDOT (North of Rte.

#30)

	Rates	Fringes
IRONWORKER		
Fence Erector.....	\$ 21.30	20.92
Flat Road Mesh.....	\$ 29.77	21.30
Tunnels & Caissons Under		
Pressure.....	\$ 29.77	21.30
All Other Work.....	\$ 31.25	26.90

-----  
IRON0147-002 06/01/2022

ALLEN (Northern half), DEFIANCE (Northern part, excluding south of a line drawn from where Rte. #66 meets the northern line through Independence to the eastern county border), MERCER (Northern half), PAULDING, PUTNAM (Western part, excluding east of a line drawn from the northern border down through Miller City to where #696 meets the southern border), VAN WERT, and WILLIAMS (Western part, excluding east of a line drawn from Pioneer through Stryker to the southern border) COUNTIES

	Rates	Fringes
IRONWORKER.....	\$ 31.20	28.47

-----  
IRON0172-002 06/01/2022

CHAMPAIGN (Eastern one-third), CLARK (Eastern one-fourth), COSHOCTON (West of a line beginning at the northwestern county line going through Walhonding & Tunnel Hill to the southern county line), CRAWFORD (South of Rte. #30), DELAWARE, FAIRFIELD, FAYETTE, FRANKLIN, HARDIN (Excluding a line drawn from Roundhead to Maysville), HIGHLAND (Eastern one-fifth), HOCKING, JACKSON (Northern half), KNOX, LICKING, LOGAN (Eastern one-third), MADISON, MARION, MORROW, MUSKINGUM (West of a line starting at Adams Mill going to Adamsville & going from Adamsville through Blue Rock to the southern border), PERRY, PICKAWAY, PIKE (Northern half), ROSS, UNION, VINTON and WYANDOT (South of Rte. #30) COUNTIES

	Rates	Fringes
IRONWORKER.....	\$ 33.27	21.20

-----  
IRON0207-004 06/01/2022

ASHTABULA (Southern part starting at the Geauga County line), COLUMBIANA (E. of a line from Damascus to Highlandtown), MAHONING (N. of Old Route #224), PORTAGE (E. of a line from Middlefield to Shalersville to Deerfield) & TRUMBULL

	Rates	Fringes
IRONWORKER		
Layout; Sheeter.....	\$ 32.92	26.26
Ornamental; Reinforcing;		
Structural.....	\$ 31.92	26.26
Ornamental; Reinforcing.....	\$ 28.92	25.61

-----  
IRON0290-002 06/01/2022

ALLEN (Southern half), AUGLAIZE, BUTLER (North of a line drawn from east to the west county line going through Oxford, Darrown & Woodsdale), CHAMPAIGN (Excluding east of a line drawn from Catawba to the point where #68 intersects the northern county line), CLARK (Western two-thirds), CLINTON (Excluding south of a line drawn from Blanchester to Lynchburg), DARKE, GREENE, HIGHLAND (Inside lines drawn from Marshall to Lynchburg & from the northern county line through East Monroe to Marshall), LOGAN (West of a line drawn from West Liberty to where the northern county line meets the western county line of Hardin), MERCER (Southern half), MIAMI, MONTGOMERY, PREBLE, SHELBY & WARREN (Excluding south of a line drawn from Blanchester through Morrow to the western county line) COUNTIES

	Rates	Fringes
IRONWORKER.....	\$ 31.59	23.85

-----  
IRON0549-003 12/01/2021

BELMONT, GUERNSEY, HARRISON, JEFFERSON, MONROE & MUSKINGUM (Excluding portion west of a line starting at Adams Mill going to Adamsville and going from Adamsville through Blue Rock to the south border)

	Rates	Fringes
IRONWORKER.....	\$ 34.44	18.77

-----  
IRON0550-004 05/01/2022

ASHLAND, CARROLL, COLUMBIANA (W. of a line from Damascus to Highlandtown), COSHOCTON (E. of a line beginning at NW Co. line going through Walhonding & Tunnel Hill to the South Co. line), HOLMES, HURON (S. of Old Rte. #224), MAHONING (S. of Old Rte. #224), MEDINA (S. of Old Rte. #224), PORTAGE (S. of Old Rte. #224), RICHLAND, STARK, SUMMIT (S. of Old Rte. #224, Excluding city limits of Barberton), TUSCARAWAS, & WAYNE

	Rates	Fringes
Ironworkers:Structural, Ornamental and Reinforcing.....	\$ 30.97	21.69

-----  
IRON0769-004 06/01/2022

ADAMS (Eastern Half), GALLIA, JACKSON (Southern Half), LAWRENCE & SCIOTO

	Rates	Fringes
IRONWORKER.....	\$ 33.71	27.69

-----  
IRON0787-003 06/01/2022

ATHENS, MEIGS, MORGAN, NOBLE, and WASHINGTON COUNTIES

	Rates	Fringes
--	-------	---------

IRONWORKER.....\$ 31.50 23.75

LAB00265-008 05/01/2021

Rates Fringes

LABORER

Table listing laborer rates and fringes for various counties including Ashtabula, Erie, Huron, Lorain, Lucas, Mahoning, Medina, Ottawa, Portage, Sandusky, Stark, Summit, Trumbull & Wood Counties, Cuyahoga and Geauga, and Remaining Counties of Ohio.

LABORER CLASSIFICATIONS

GROUP 1 - Asphalt Laborer; Carpenter Tender; Concrete Curing Applicator; Dump Man (Batch Truck); Guardrail and Fence Installer; Joint Setter; Laborer (Construction); Landscape Laborer; Mesh Handlers & Placer; Right-of-way Laborer; Riprap Laborer & Grouter; Scaffold Erector; Seal Coating; Surface Treatment or Road Mix Laborer; Sign Installer; Slurry Seal; Utility Man; Bridge Man; Handyman; Waterproofing Laborer; Flagperson; Hazardous Waste (level D); Diver Tender; Zone Person & Traffic Control

GROUP 2 - Asphalt Raker; Concrete Puddler; Kettle Man (Pipeline); Machine Driven Tools (Gas, Electric, Air); Mason Tender; Brick Paver; Mortar Mixer; Power Buggy or Power Wheelbarrow; Paint Striper; Sheeting & Shoring Man; Surface Grinder Man; Plastic Fusing Machine Operator; Pug Mill Operator; & Vacuum Devices (wet or dry); Rodding Machine Operator; Diver; Screwwoman or Paver; Scream Person; Water Blast, Hand Held Wand; Pumps 4" & Under (Gas, Air or Electric) & Hazardous Waste (level C); Air Track and Wagon Drill; Bottom Person; Cofferdam (below 25 ft. deep); Concrete Saw Person; Cutting with Burning Torch; Form Setter; Hand Spiker (Railroad); Pipelayer; Tunnel Laborer (without air) & Caisson; Underground Person (working in Sewer and Waterline, Cleaning, Repairing & Reconditioning); Sandblaster Nozzle Person; & Hazardous Waste (level B)

GROUP 3 - Blaster; Mucker; Powder Person; Top Lander; Wrencher (Mechanical Joints & Utility Pipeline); Yarnier; Hazardous Waste (level A); Concrete Specialist; Concrete Crew in Tunnels (With Air-pressurized - \$1.00 premium); Curb Setter & Cutter; Grade Checker; Utility Pipeline Tapper; Waterline; and Caulker

GROUP 4 - Miner (With Air-pressurized - \$1.00 premium); & Gunite Nozzle Person

TUNNEL LABORER WITH AIR-PRESSURIZED ADD \$1.00 TO BASE RATE

SIGNAL PERSON WILL RECEIVE THE RATE EQUAL TO THE RATE PAID THE LABORER CLASSIFICATION FOR WHICH HE OR SHE IS SIGNALING.

PAIN006-002 05/01/2018

ASHTABULA, CUYAHOGA, GEAUGA, LAKE, LORAIN, PORTAGE (N. of the East-West Turnpike) & SUMMIT (N. of the East-West Turnpike)

Rates Fringes

PAINTER

Table listing painter rates and fringes for Commercial New Work, Remodeling & Renovations, and Commercial Repaint.

PAINTER CLASSIFICATIONS - COMMERCIAL NEW WORK; REMODELING; & RENOVATIONS

GROUP 1 - Brush; & Roller

GROUP 2 - Sandblasting & Buffing

GROUP 3 - Spray Painting; Closed Steel Above 55 feet; Bridges & Open Structural Steel; Tanks - Water Towers; Bridge Painters; Bridge Riggers; Containment Builders

GROUP 4 - Bridge Blaster

PAINTER CLASSIFICATIONS - COMMERCIAL REPAINT

GROUP 1 - Brush; & Roller

GROUP 2 - Sandblasting & Buffing

GROUP 3 - Spray Painting

PAIN007-002 07/01/2021

FULTON, HENRY, LUCAS, OTTAWA (Excluding Allen, Bay, Bono, Catawba Island, Clay Center, Curtice, Danbury, Eagle Beach, Elliston, Elmore, Erie, Fishback, Gem Beach & Genova) & WOOD

Rates Fringes

PAINTER		
NEW COMMERCIAL WORK		
GROUP 1.....	\$ 28.74	18.77
GROUP 2.....	\$ 28.74	18.77
GROUP 3.....	\$ 28.74	18.77
GROUP 4.....	\$ 28.74	18.77
GROUP 5.....	\$ 28.74	18.77
GROUP 6.....	\$ 28.74	18.77
GROUP 7.....	\$ 28.74	18.77
GROUP 8.....	\$ 28.74	18.77
GROUP 9.....	\$ 28.74	18.77

REPAINT IS 90% OF JR

PAINTER CLASSIFICATIONS

GROUP 1 - Brush; Spray & Sandblasting Pot Tender

GROUP 2 - Refineries & Refinery Tanks; Surfaces 30 ft. or over where material is applied to or labor performed on above ground level (exterior), floor level (interior)

GROUP 3 - Swing Stage & Chair

GROUP 4 - Lead Abatement

GROUP 5 - All Methods of Spray

GROUP 6 - Solvent-Based Catalized Epoxy Materials of 2 or More Component Materials, to include Solvent-Based Conversion Varnish (excluding water based)

GROUP 7 - Spray Solvent Based Material; Sand & Abrasive Blasting

GROUP 8 - Towers; Tanks; Bridges; Stacks Over 30 Feet

GROUP 9 - Epoxy Spray (excluding water based)

-----  
PAIN0012-008 05/01/2019

BUTLER COUNTY

	Rates	Fringes
PAINTER		
GROUP 1.....	\$ 21.95	10.20
GROUP 2.....	\$ 25.30	10.20
GROUP 3.....	\$ 25.80	10.20
GROUP 4.....	\$ 26.05	10.20
GROUP 5.....	\$ 26.30	10.20

PAINTER CLASSIFICATIONS

GROUP 1: Bridge Equipment Tender; Bridge/Containment Builder

GROUP 2: Brush & Roller

GROUP 3: Spray

GROUP 4: Sandblasting; & Waterblasting

GROUP 5: Elevated Tanks; Steeplejack Work; Bridge; & Lead Abatement

-----  
PAIN0012-010 05/01/2019

BROWN, CLERMONT, CLINTON, HAMILTON & WARREN

	Rates	Fringes
PAINTER		
HEAVY & HIGHWAY BRIDGES- GUARDRAILS-LIGHTPOLES- STRIPING		
Bridge Equipment Tender and Containment Builder....	\$ 21.95	10.20
Bridges when highest point of clearance is 60 feet or more; & Lead Abatement Projects.....	\$ 26.30	10.20
Brush & Roller.....	\$ 25.30	10.20
Sandblasting & Hopper Tender; Water Blasting....	\$ 26.05	10.20
Spray.....	\$ 25.80	10.20

-----  
PAIN0093-001 12/01/2018

ATHENS, GUERNSEY, HOCKING, MONROE, MORGAN, NOBLE and  
WASHINGTON COUNTIES

	Rates	Fringes		
PAINTER				
Bridges; Locks; Dams; Tension Towers; & Energized Substations.....			\$ 34.04	18.50
Power Generating Facilities..	\$ 30.89	18.50		

-----  
PAIN0249-002 06/01/2020

CLARK, DARKE, GREENE, MIAMI, MONTGOMERY & PREBLE

	Rates	Fringes
PAINTER		
GROUP 1 - Brush & Roller....	\$ 24.17	11.22
GROUP 2 - Swing, Scaffold Bridges; Structural Steel; Open Acid Tank; High Tension Electrical Equipment; & Hot Pipes.....	\$ 24.17	11.22
GROUP 3 - Spray; Sandblast; Steamclean; Lead Abatement.....	\$ 24.92	11.22
GROUP 4 - Steeplejack Work..	\$ 25.12	11.22
GROUP 5 - Coal Tar.....	\$ 25.67	11.22
GROUP 6 - Bridge Equipment Tender & or Containment Builder.....	\$ 32.88	11.22
GROUP 7 - Tanks, Stacks & Towers.....	\$ 27.81	11.22
GROUP 8 - Bridge Blaster, Rigger.....	\$ 35.88	11.22

-----  
PAIN0356-002 09/01/2009

KNOX, LICKING, MUSKINGUM, and PERRY

	Rates	Fringes
PAINTER		
Bridge Equipment Tenders and Containment Builders....	\$ 27.93	7.25
Bridges; Blasters; and Riggers.....	\$ 34.60	7.25
Brush and Roller.....	\$ 20.93	7.25
Sandblasting; Steam Cleaning; Waterblasting; and Hazardous Work.....	\$ 25.82	7.25
Spray.....	\$ 21.40	7.25
Structural Steel and Swing Stage.....	\$ 25.42	7.25
Tanks; Stacks; and Towers...	\$ 28.63	7.25

-----  
 PAIN0438-002 12/01/2021

BELMONT, HARRISON and JEFFERSON COUNTIES

	Rates	Fringes
PAINTER		
Bridges, Locks, Dams, Tension Towers & Energized Substations.....	\$ 34.47	20.60
Power Generating Facilities.	\$ 29.65	17.68

-----  
 PAIN0476-001 06/01/2021

COLUMBIANA, MAHONING, and TRUMBULL COUNTIES

	Rates	Fringes
PAINTER		
GROUP 1.....	\$ 25.79	15.81
GROUP 2.....	\$ 33.10	15.81
GROUP 3.....	\$ 26.00	15.81
GROUP 4.....	\$ 27.12	15.81
GROUP 5.....	\$ 27.79	15.81
GROUP 6.....	\$ 26.69	15.81
GROUP 7.....	\$ 27.79	15.81

PAINTER CLASSIFICATIONS:

- GROUP 1: Painters, Brush & Roller
- GROUP 2: Bridges
- GROUP 3: Structural Steel
- GROUP 4: Spray, Except Bar Joist/Deck
- GROUP 5: Epoxy/Mastic; Spray- Bar Joist/Deck; Working Above 50 Feet; and Swingstages
- GROUP 6: Tanks; Sandblasting
- GROUP 7: Towers; Stacks

-----  
 PAIN0555-002 06/01/2021

ADAMS, HIGHLAND, JACKSON, PIKE & SCIOTO

	Rates	Fringes
PAINTER		
GROUP 1.....	\$ 31.95	17.05
GROUP 2.....	\$ 33.47	17.05
GROUP 3.....	\$ 34.99	17.05
GROUP 4.....	\$ 37.97	17.05

PAINTER CLASSIFICATIONS

- GROUP 1 - Containment Builder
- GROUP 2 - Brush; Roller; Power Tools, Under 40 feet
- GROUP 3 - Sand Blasting; Spray; Steam Cleaning; Pressure Washing; Epoxy & Two Component Materials; Lead Abatement; Hazardous Waste; Toxic Materials; Bulk & Storage Tanks of 25,000 Gallon Capacity or More; Elevated Tanks
- GROUP 4 - Stacks; Bridges

-----  
 PAIN0639-001 05/01/2011

	Rates	Fringes
Sign Painter & Erector.....	\$ 20.61	3.50+a+b+c

FOOTNOTES: a. 7 Paid Holidays: New Year's Day; Memorial Day; July 4th; Labor Day; Thanksgiving Day; Christmas Day & 1 Floating Day  
 b. Vacation Pay: After 1 year's service - 5 days' paid vacation; After 2, but less than 10 years' service - 10 days' paid vacation; After 10, but less than 20 years' service - 15 days' paid vacation; After 20 years' service - 20 days' paid vacation  
 c. Funeral leave up to 3 days maximum paid leave for death of mother, father, brother, sister, spouse, child, mother-in-law, father-in-law, grandparent and inlaw provided employee attends funeral

-----  
 PAIN0788-002 06/01/2022

ASHLAND, CRAWFORD, ERIE, HANCOCK, HURON, MARION, MORROW, OTTAWA (Allen, Bay, Bono, Catawba Island, Clay Center, Curtice, Danbury, Eagle Beach, Elliston, Elmore, Erie, Fishback, Gem Beach & Genoa), RICHLAND, SANDUSKY, SENECA & WYANDOT

	Rates	Fringes
PAINTER		
Brush & Roller.....	\$ 25.08	16.72
Structural Steel.....	\$ 26.68	16.72

WINTER REPAINT: Between December 1 to March 31 - 90%JR

\$.50 PER HOUR SHALL BE ADDED TO THE RATE OF PAY FOR THE CLASSIFICATION OF WORK:

While working swingstage, boatswain chair, needle beam and



horizontal cable. While operating sprayguns, sandblasting, cobblasting and high pressure waterblasting (4000psi).

\$1.00 PER HOUR SHALL BE ADDED TO THE RATE OF PAY FOR THE CLASSIFICATION OF WORK:

For the application of catalized epoxy, including latex epoxy that is deemed hazardous, lead abatement, or for work on material where special precautions beyond normal work duties must be taken. For working on stacks, tanks, and towers over 40 feet in height.

-----  
PAIN0813-005 12/01/2008

GALLIA, LAWRENCE, MEIGS & VINTON

	Rates	Fringes
PAINTER		
Base Rate.....	\$ 24.83	10.00
Bridges, Locks, Dams & Tension Towers.....	\$ 27.83	10.00

-----  
PAIN0841-001 06/01/2018

MEDINA, PORTAGE (South of and including Ohio Turnpike), and SUMMIT (South of and including Ohio Turnpike) COUNTIES

	Rates	Fringes
Painters:		
GROUP 1.....	\$ 25.75	14.35
GROUP 2.....	\$ 26.40	14.35
GROUP 3.....	\$ 26.50	14.35
GROUP 4.....	\$ 26.60	14.35
GROUP 5.....	\$ 27.00	14.35
GROUP 6.....	\$ 39.20	11.75
GROUP 7.....	\$ 27.00	14.35

PAINTER CLASSIFICATIONS:

GROUP 1 - Brush, Roller & Paperhanger

GROUP 2 - Epoxy Application

GROUP 3 - Swing Scaffold, Bosum Chair, & Window Jack

GROUP 4 - Spray Gun Operator of Any & All Coatings

GROUP 5 - Sandblast, Painting of Standpipes, etc. from Scaffolds, Bridge Work and/or Open Structural Steel, Standpipes and/or Water Towers

GROUP 6 - Public & Commerce Transportation, Steel or Galvanized, Bridges, Tunnels & Related Support Items (concrete)

GROUP 7 - Synthetic Exterior, Drywall Finisher and/or Taper, Drywall Finisher and Follow-up Man Using Automatic Tools

-----  
PAIN0841-002 06/01/2022

CARROLL, COSHOCTON, HOLMES, STARK, TUSCARAWAS & WAYNE

	Rates	Fringes
PAINTER		
Bridges; Towers, Poles & Stacks; Sandblasting Steel; Structural Steel & Metalizing.....	\$ 23.50	15.10
Brush & Roller.....	\$ 22.75	15.10
Spray; Tank Interior & Exterior.....	\$ 23.50	15.10

-----  
PAIN1020-002 06/01/2022

ALLEN, AUGLAIZE, CHAMPAIGN, DEFIANCE, HARDIN, LOGAN, MERCER, PAULDING, PUTNAM, SHELBY, VAN WERT, and WILLIAMS COUNTIES

	Rates	Fringes
PAINTER		
Brush & Roller.....	\$ 26.20	15.00
Drywall Finishing & Taping.....	\$ 24.90	15.00
Lead Abatement.....	\$ 27.95	15.00
Spray, Sandblasting Pressure Cleaning, & Refinery.....	\$ 26.95	15.00
Swing Stage, Chair, Spiders, & Cherry Pickers...	\$ 25.47	15.00
Wallcoverings.....	\$ 23.80	15.00

All surfaces 40 ft. or over where material is applied to or labor performed on, above ground level (exterior), floor level (interior) - \$.50 premium

Applying Coal Tar Products - \$1.00 premium

-----  
PAIN1275-002 06/01/2020

DELAWARE, FAIRFIELD, FAYETTE, FRANKLIN, MADISON, PICKAWAY, ROSS & UNION

	Rates	Fringes
PAINTER		
Bridges.....	\$ 34.64	14.40
Brush; Roller.....	\$ 25.16	14.40
Sandblasting; Steamcleaning; Waterblasting (3500 PSI or Over) & Hazardous Work.....	\$ 25.86	14.40
Spray.....	\$ 25.66	14.40
Stacks; Tanks; & Towers.....	\$ 28.67	14.40
Structural Steel & Swing Stage.....	\$ 25.46	14.40

-----  
PLAS0109-001 05/01/2018

MEDINA, PORTAGE, STARK, and SUMMIT COUNTIES

Rates Fringes

PLASTERER.....	\$ 28.86	17.11
-----		
PLAS0109-003 05/01/2018		
CARROLL, HOLMES, TUSCARAWAS, and WAYNE COUNTIES		
	Rates	Fringes
PLASTERER.....	\$ 28.21	17.11
-----		
PLAS0132-002 06/01/2022		
BROWN, BUTLER, CLERMONT, HAMILTON, HIGHLAND, WARREN COUNTIES		
	Rates	Fringes
PLASTERER.....	\$ 29.25	14.69
-----		
PLAS0404-002 05/01/2018		
ASHTABULA, CUYAHOGA, GEAUGA, AND LAKE COUNTIES		
	Rates	Fringes
PLASTERER.....	\$ 29.63	17.11
-----		
PLAS0404-003 05/01/2018		
LORAIN COUNTY		
	Rates	Fringes
PLASTERER.....	\$ 28.86	17.11
-----		
PLAS0526-022 05/01/2018		
COLUMBIANA, MAHONING, and TRUMBULL COUNTIES		
	Rates	Fringes
PLASTERER.....	\$ 28.86	17.11
-----		
PLAS0526-023 05/01/2018		
BELMONT, HARRISON, and JEFFERSON COUNTIES		
	Rates	Fringes
PLASTERER.....	\$ 28.21	17.11
-----		
PLAS0886-001 05/01/2018		
FULTON, HANCOCK, HENRY, LUCAS, PUTNAM, and WOOD COUNTIES		
	Rates	Fringes
PLASTERER.....	\$ 29.63	17.11
-----		
PLAS0886-003 05/01/2018		
DEFIANCE, ERIE, HURON, OTTAWA, PAULDING, SANDUSKY, and SENECA COUNTIES		
	Rates	Fringes
PLASTERER.....	\$ 28.86	17.11
-----		
PLAS0886-004 05/01/2018		
ALLEN, AUGLAIZE, HARDIN, LOGAN, MERCER, and VAN WERT COUNTIES		
	Rates	Fringes
PLASTERER.....	\$ 28.21	17.11
-----		
PLUM0042-002 07/01/2022		
ASHLAND, CRAWFORD, ERIE, HURON, KNOX, LORAIN, MORROW, RICHLAND & WYANDOT		
	Rates	Fringes
Plumber, Pipefitter, Steamfitter.....	\$ 34.42	25.47
-----		
PLUM0050-002 07/04/2022		
DEFIANCE, FULTON, HANCOCK, HENRY, LUCAS, OTTAWA, PAULDING, PUTNAM, SANDUSKY, SENECA, WILLIAMS & WOOD		
	Rates	Fringes
Plumber, Pipefitter, Steamfitter.....	\$ 44.60	28.51
-----		
PLUM0055-003 05/01/2022		
ASHTABULA, CUYAHOGA, GEAUGA, LAKE, MEDINA (N. of Rte. #18 & Smith Road) & SUMMIT (N. of Rte. #303, including the corporate limits of the city of Hudson)		
	Rates	Fringes
PLUMBER.....	\$ 40.00	28.43
-----		
PLUM0083-001 07/01/2017		
BELMONT & MONROE (North of Rte. #78)		
	Rates	Fringes
Plumber and Steamfitter.....	\$ 32.16	31.51
-----		
PLUM0094-002 05/01/2022		
CARROLL (Northen Half), STARK, and WAYNE COUNTIES		
	Rates	Fringes
PLUMBER/PIPEFITTER.....	\$ 36.83	22.99
-----		
PLUM0120-002 05/02/2022		
ASHTABULA, CUYAHOGA, GEAUGA, LAKE, LORAIN (the C.E.I. Power House in Avon Lake), MEDINA (N. of Rte. #18) & SUMMIT (N. of #303)		

	Rates	Fringes
PIPEFITTER.....	\$ 44.07	28.34

PLUM0162-002 06/01/2021

CHAMPAIGN, CLARK, CLINTON, DARKE, FAYETTE, GREENE, MIAMI,  
MONTGOMERY & PREBLE

	Rates	Fringes
Plumber, Pipefitter, Steamfitter.....	\$ 33.40	27.09

PLUM0168-002 06/01/2022

MEIGS, MONROE (South of Rte. #78), MORGAN (South of Rte. #78)  
& WASHINGTON

	Rates	Fringes
PLUMBER/PIPEFITTER.....	\$ 38.02	34.09

PLUM0189-002 06/01/2019

DELAWARE, FAIRFIELD, FRANKLIN, HOCKING, LICKING, MADISON,  
MARION, PERRY, PICKAWAY, ROSS & UNION

	Rates	Fringes
Plumber, Pipefitter, Steamfitter.....	\$ 38.45	16.98

PLUM0219-002 06/01/2022

MEDINA (Rte. #18 from eastern edge of Medina Co., west to  
eastern corporate limits of the city of Medina, & on the county  
road from the west corporate limits of Medina running due west  
to and through community of Risley to the western edge of  
Medina County - All territory south of this line), PORTAGE, and  
SUMMIT (S. of Rte. #303) COUNTIES

	Rates	Fringes
Plumber and Steamfitter.....	\$ 41.22	26.64

PLUM0392-002 06/01/2021

BROWN, BUTLER, CLERMONT, HAMILTON & WARREN

	Rates	Fringes
PLUMBER/PIPEFITTER.....	\$ 35.21	22.99

PLUM0396-001 06/01/2021

COLUMBIANA (Excluding Washington & Yellow Creek Townships &  
Liverpool Twp. - Secs. 35 & 36 - West of County Road #427),  
MAHONING and TRUMBULL COUNTIES

	Rates	Fringes
PLUMBER/PIPEFITTER.....	\$ 35.35	27.01

PLUM0495-002 06/01/2022

CARROLL (Rose, Monroe, Union, Lee, Orange, Perry & Loudon  
Townships), COLUMBIANA (Washington & Yellow Creek Townships &  
Liverpool Township, Secs. 35 & 36, West of County Rd. #427),  
COSHOCTON, GUERNSEY, HARRISON, HOLMES, JEFFERSON, MORGAN (South  
to State Rte. #78 & from McConelsville west on State Rte. #37  
to the Perry County line), MUSKINGUM, NOBLE, and TUSCARAWAS  
COUNTIES

	Rates	Fringes
Plumber, Pipefitter, Steamfitter.....	\$ 31.24	34.34

PLUM0577-002 06/01/2022

ADAMS, ATHENS, GALLIA, HIGHLAND, JACKSON, LAWRENCE, PIKE,  
SCIOTO & VINTON

	Rates	Fringes
Plumber, Pipefitter, Steamfitter.....	\$ 37.56	25.73

PLUM0776-002 07/01/2022

ALLEN, AUGLAIZE, HARDIN, LOGAN, MERCER, SHELBY and VAN WERT  
COUNTIES

	Rates	Fringes
Plumber, Pipefitter, Steamfitter.....	\$ 39.33	27.68

TEAM0377-003 05/01/2021

STATEWIDE, EXCEPT CUYAHOGA, GEauga & LAKE

	Rates	Fringes
TRUCK DRIVER		

GROUP 1.....\$ 29.74 15.70

GROUP 2.....\$ 30.16 15.70

TRUCK DRIVER CLASSIFICATIONS

GROUP 1 - Asphalt Distributor; Batch; 4- Wheel Service;  
4-Wheel Dump; Oil Distributor & Tandem

GROUP 2 - Tractor-Trailer Combination: Fuel; Pole Trailer;  
Ready Mix; Semi-Tractor; & Asphalt Oil Spraybar Man When  
Operated From Cab; 5 Axles & Over; Belly Dump; End Dump;  
Articulated Dump; Heavy Duty Equipment; Low Boy; & Truck  
Mechanic

CUYAHOGA, GAUGA & LAKE

	Rates	Fringes
TRUCK DRIVER		
GROUP 1.....	\$ 30.65	16.95
GROUP 2.....	\$ 31.15	16.95

GROUP 1: Straight & Dump, Straight Fuel

GROUP 2: Semi Fuel, Semi Tractor, Euclids, Darts, Tank, Asphalt Spreaders, Low Boys, Carry-All, Tournarockers, Hi-Lifts, Extra Long Trailers, Semi-Pole Trailers, Double Hook-Up Tractor Trailers including Team Track & Railroad Siding, Semi-Tractor & Tri-Axle Trailer, Tandem Tractor & Tandem Trailer, Tag Along Trailer, Expandable Trailer or Towing Requiring Road Permits, Ready-Mix (Agitator or Non-Agitator), Bulk Concrete Driver, Dry Batch Truck, Articulated End Dump

-----  
WELDERS - Receive rate prescribed for craft performing operation to which welding is incidental.

\*\*\*\*\*  
\*\* Workers in this classification may be entitled to a higher minimum wage under Executive Order 14026 (\$15.00) or 13658 (\$11.25). Please see the Note at the top of the wage determination for more information.

Note: Executive Order (EO) 13706, Establishing Paid Sick Leave for Federal Contractors applies to all contracts subject to the Davis-Bacon Act for which the contract is awarded (and any solicitation was issued) on or after January 1, 2017. If this contract is covered by the EO, the contractor must provide employees with 1 hour of paid sick leave for every 30 hours they work, up to 56 hours of paid sick leave each year. Employees must be permitted to use paid sick leave for their own illness, injury or other health-related needs, including preventive care; to assist a family member (or person who is like family to the employee) who is ill, injured, or has other health-related needs, including preventive care; or for reasons resulting from, or to assist a family member (or person who is like family to the employee) who is a victim of, domestic violence, sexual assault, or stalking. Additional information on contractor requirements and worker protections under the EO is available at <https://www.dol.gov/agencies/whd/government-contracts>.

Unlisted classifications needed for work not included within the scope of the classifications listed may be added after award only as provided in the labor standards contract clauses (29CFR 5.5 (a) (1) (ii)).

-----  
The body of each wage determination lists the classification and wage rates that have been found to be prevailing for the cited type(s) of construction in the area covered by the wage determination. The classifications are listed in alphabetical order of "identifiers" that indicate whether the particular rate is a union rate (current union negotiated rate for local), a survey rate (weighted average rate) or a union average rate (weighted union average rate).

Union Rate Identifiers

A four letter classification abbreviation identifier enclosed in dotted lines beginning with characters other than "SU" or "UAVG" denotes that the union classification and rate were prevailing for that classification in the survey. Example: PLUM0198-005 07/01/2014. PLUM is an abbreviation identifier of the union which prevailed in the survey for this classification, which in this example would be Plumbers. 0198 indicates the local union number or district council number where applicable, i.e., Plumbers Local 0198. The next number, 005 in the example, is an internal number used in processing the wage determination. 07/01/2014 is the effective date of the most current negotiated rate, which in this example is July 1, 2014.

Union prevailing wage rates are updated to reflect all rate changes in the collective bargaining agreement (CBA) governing this classification and rate.

Survey Rate Identifiers

Classifications listed under the "SU" identifier indicate that no one rate prevailed for this classification in the survey and the published rate is derived by computing a weighted average rate based on all the rates reported in the survey for that classification. As this weighted average rate includes all rates reported in the survey, it may include both union and non-union rates. Example: SULA2012-007 5/13/2014. SU indicates the rates are survey rates based on a weighted average calculation of rates and are not majority rates. LA indicates the State of Louisiana. 2012 is the year of survey on which these classifications and rates are based. The next number, 007 in the example, is an internal number used in producing the wage determination. 5/13/2014 indicates the survey completion date for the classifications and rates under that identifier.

Survey wage rates are not updated and remain in effect until a new survey is conducted.

Union Average Rate Identifiers

Classification(s) listed under the UAVG identifier indicate that no single majority rate prevailed for those classifications; however, 100% of the data reported for the classifications was union data. EXAMPLE: UAVG-OH-0010 08/29/2014. UAVG indicates that the rate is a weighted union average rate. OH indicates the state. The next number, 0010 in the example, is an internal number used in producing the wage determination. 08/29/2014 indicates the survey completion date for the classifications and rates under that identifier.

A UAVG rate will be updated once a year, usually in January of each year, to reflect a weighted average of the current negotiated/CBA rate of the union locals from which the rate is based.

-----  
WAGE DETERMINATION APPEALS PROCESS

1.) Has there been an initial decision in the matter? This can be:

- \* an existing published wage determination
- \* a survey underlying a wage determination
- \* a Wage and Hour Division letter setting forth a position on a wage determination matter
- \* a conformance (additional classification and rate) ruling

On survey related matters, initial contact, including requests for summaries of surveys, should be with the Wage and Hour National Office because National Office has responsibility for the Davis-Bacon survey program. If the response from this initial contact is not satisfactory, then the process described in 2.) and 3.) should be followed.

With regard to any other matter not yet ripe for the formal process described here, initial contact should be with the Branch of Construction Wage Determinations. Write to:

Branch of Construction Wage Determinations  
Wage and Hour Division  
U.S. Department of Labor  
200 Constitution Avenue, N.W.  
Washington, DC 20210

2.) If the answer to the question in 1.) is yes, then an interested party (those affected by the action) can request review and reconsideration from the Wage and Hour Administrator (See 29 CFR Part 1.8 and 29 CFR Part 7). Write to:

Wage and Hour Administrator  
U.S. Department of Labor  
200 Constitution Avenue, N.W.  
Washington, DC 20210

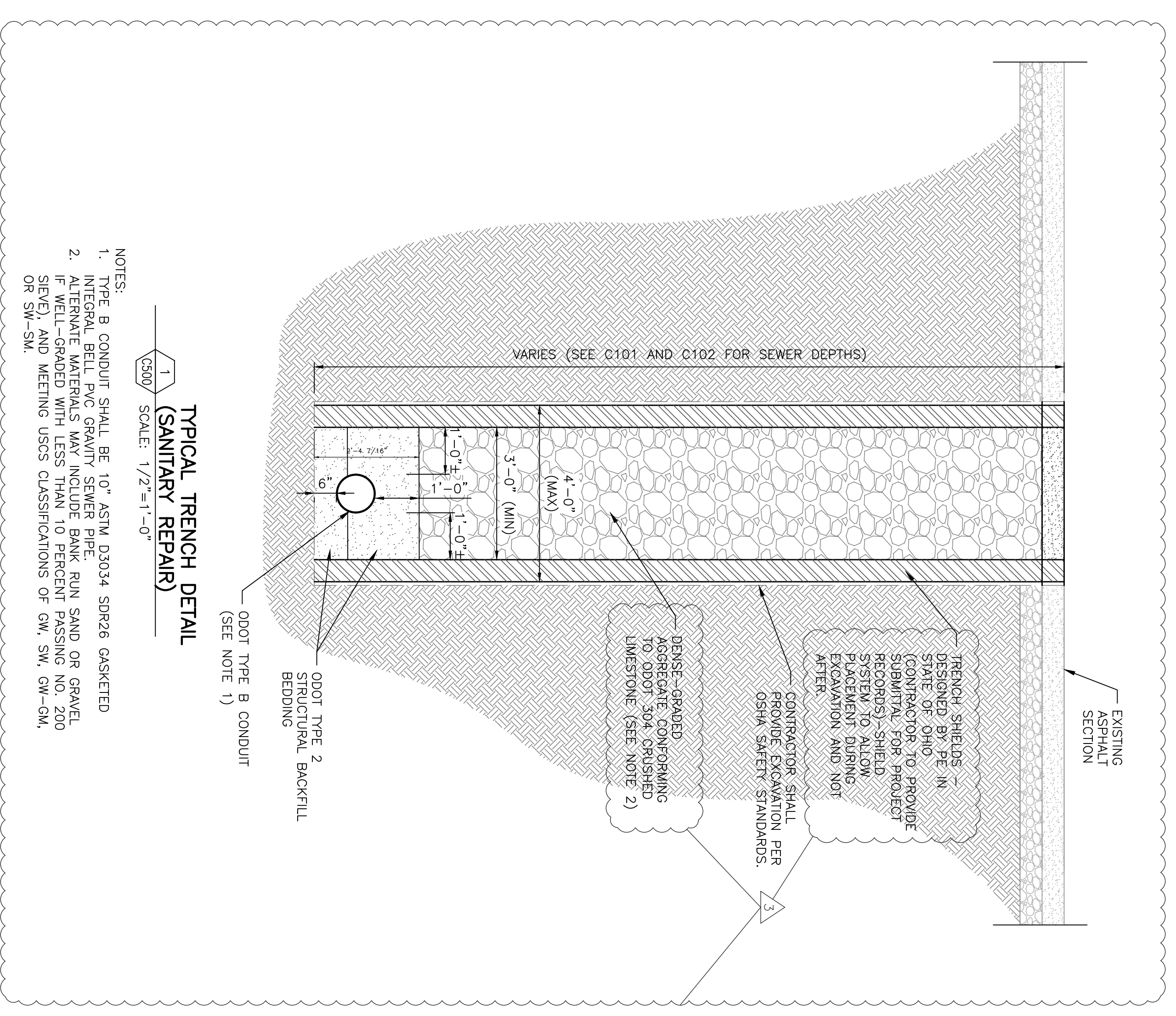
The request should be accompanied by a full statement of the interested party's position and by any information (wage payment data, project description, area practice material, etc.) that the requestor considers relevant to the issue.

3.) If the decision of the Administrator is not favorable, an interested party may appeal directly to the Administrative Review Board (formerly the Wage Appeals Board). Write to:

Administrative Review Board  
U.S. Department of Labor  
200 Constitution Avenue, N.W.  
Washington, DC 20210

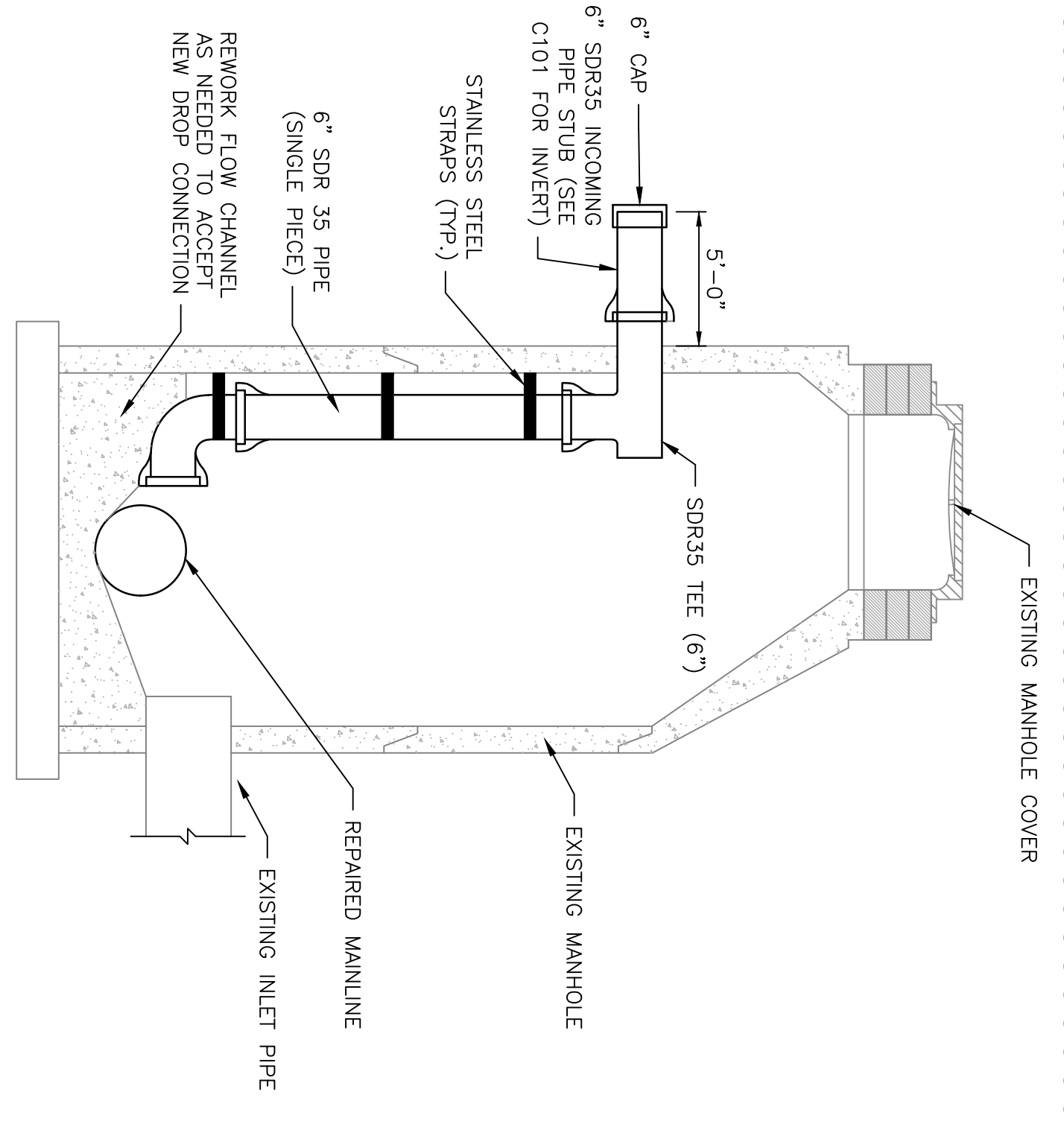
4.) All decisions by the Administrative Review Board are final.

=====  
END OF GENERAL DECISIO"

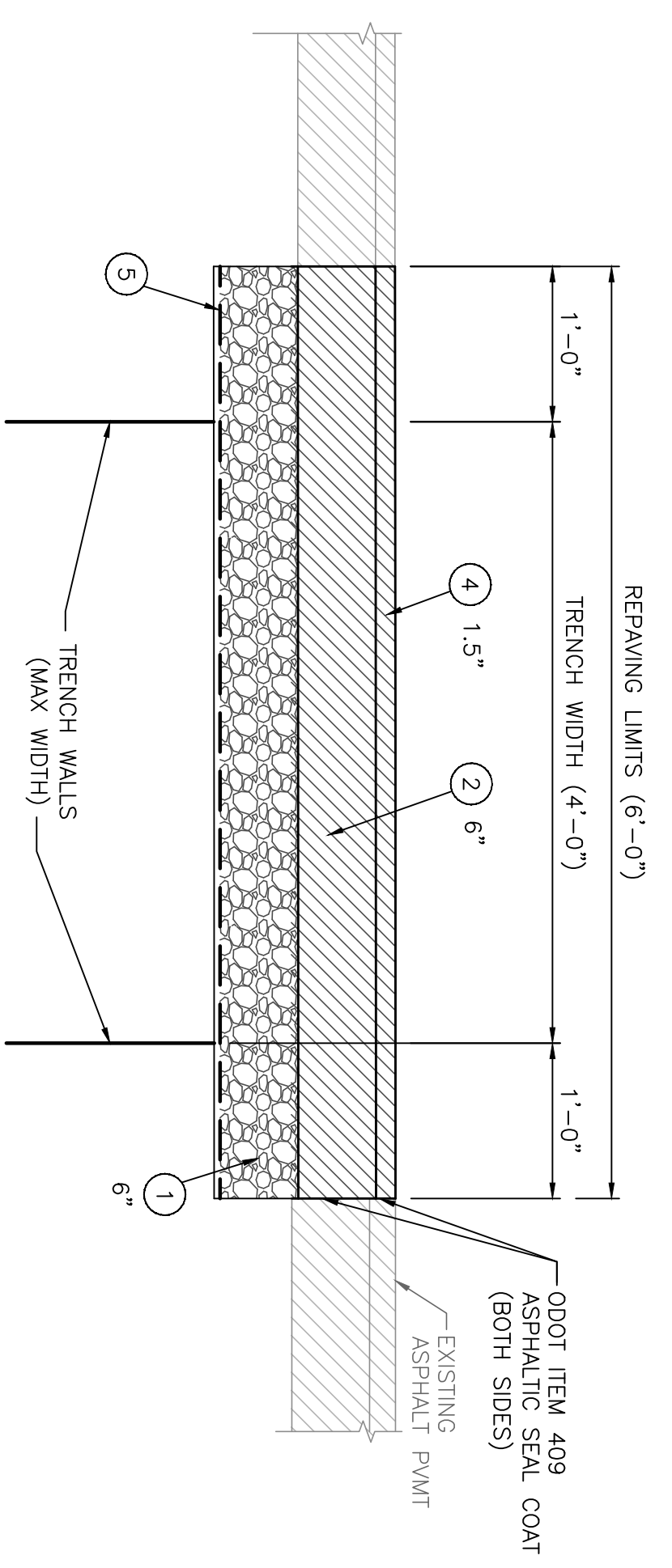


NOTES:  
 1. TYPE B CONDUIT SHALL BE 10" ASTM D3034 SDR26 GASKETED INTEGRAL BELL PVC GRAVITY SEWER PIPE.  
 2. ALTERNATE MATERIALS MAY INCLUDE BANK RUN SAND OR GRAVEL (IF WELL-GRADED WITH LESS THAN 10 PERCENT PASSING NO. 200 SIEVE) AND MEETING USCS CLASSIFICATIONS OF GW, SW, GW-GM, OR SM-SM.

1 TYPICAL TRENCH DETAIL (SANITARY REPAIR)  
 SCALE: 1/2"=1'-0"

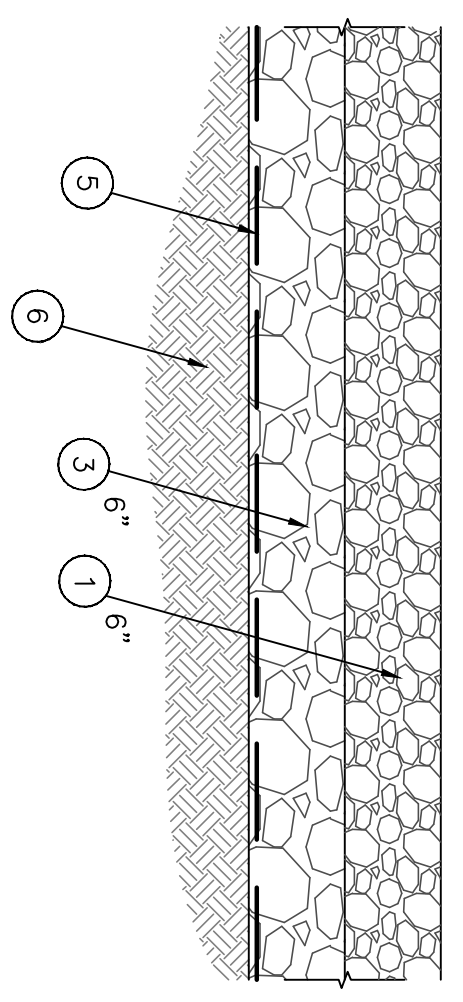


6 ALTERNATE NO. 1: INTERNAL DROP DETAIL  
 SCALE: 1/2"=1'-0"

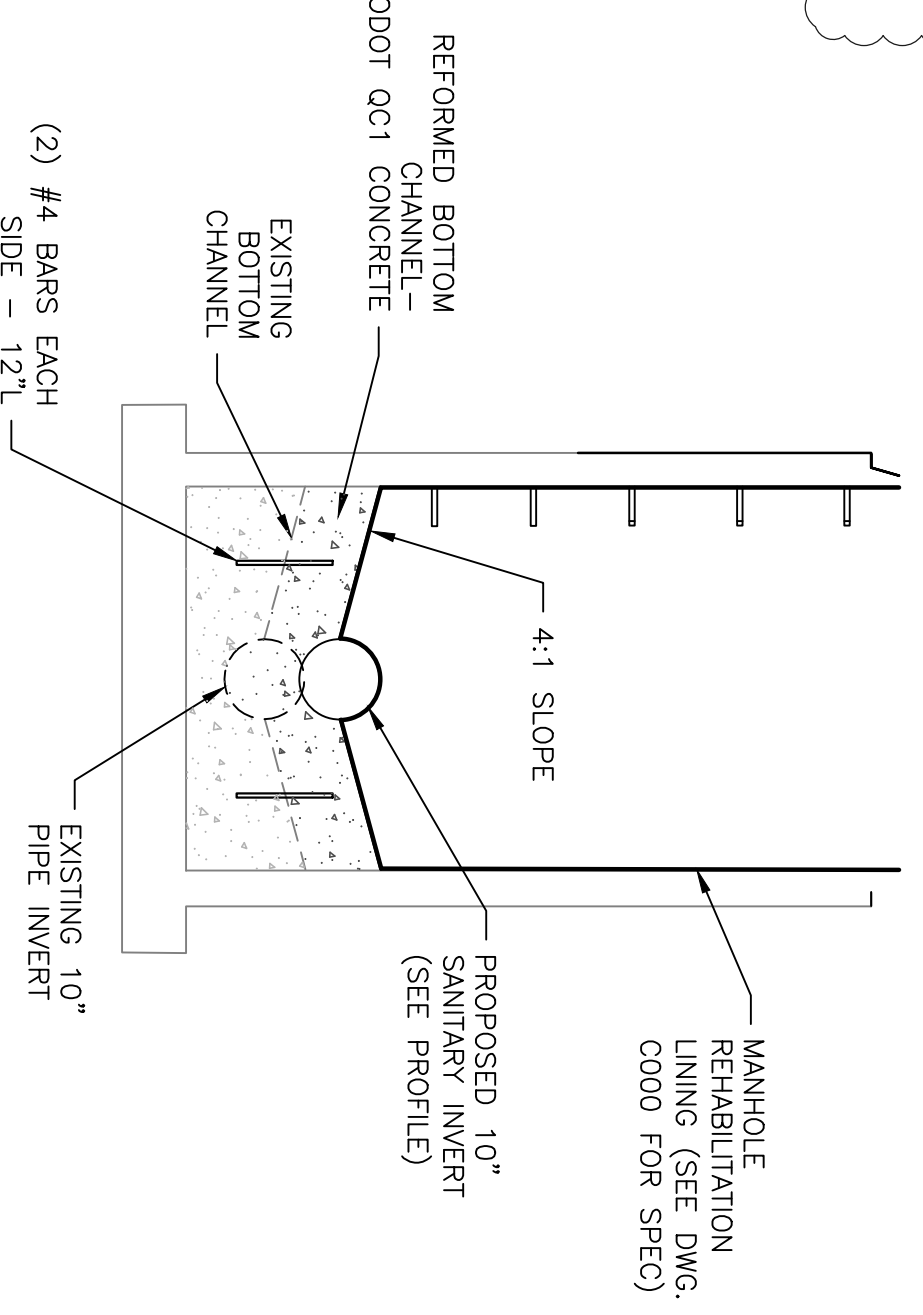


- LEGEND**
- 1 ITEM 304E20000, AGGREGATE BASE
  - 2 ITEM 301E46000, ASPHALT CONCRETE BASE, PG64-22
  - 3 NO. 2 CRUSHED LIMESTONE
  - 4 ITEM 441E50000, ASPHALT CONCRETE SURFACE COURSE, TYPE 1 (448), PG64-22
  - 5 ITEM 204E50000, GEOTEXTILE FABRIC, TYPE D
  - 6 PROPERLY PREPARED SUBGRADE

A PAVEMENT REPAIR TRENCH SECTION  
 SCALE: 1"=1'-0"

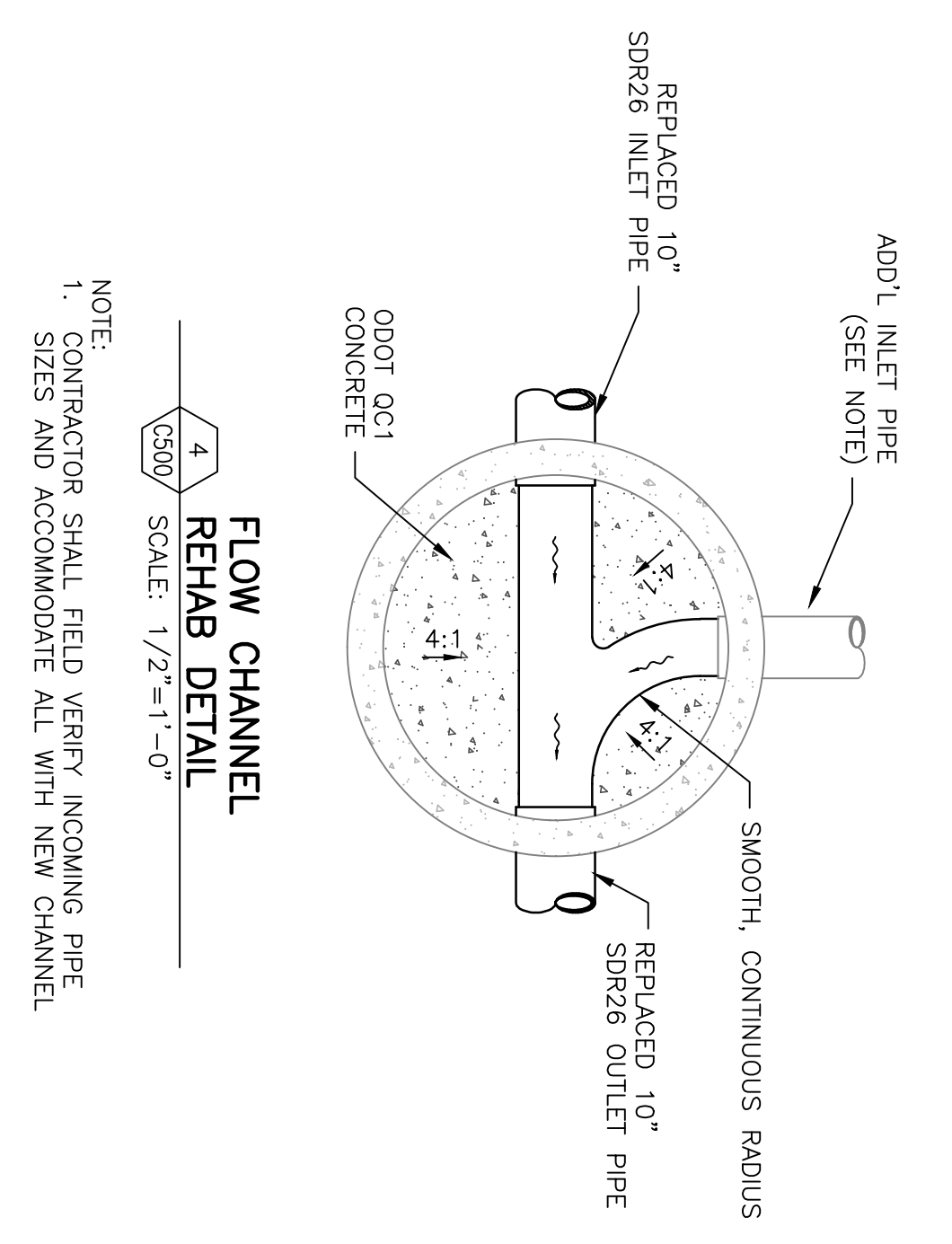


2 AGGREGATE BERM DETAIL  
 SCALE: 1"=1'-0"



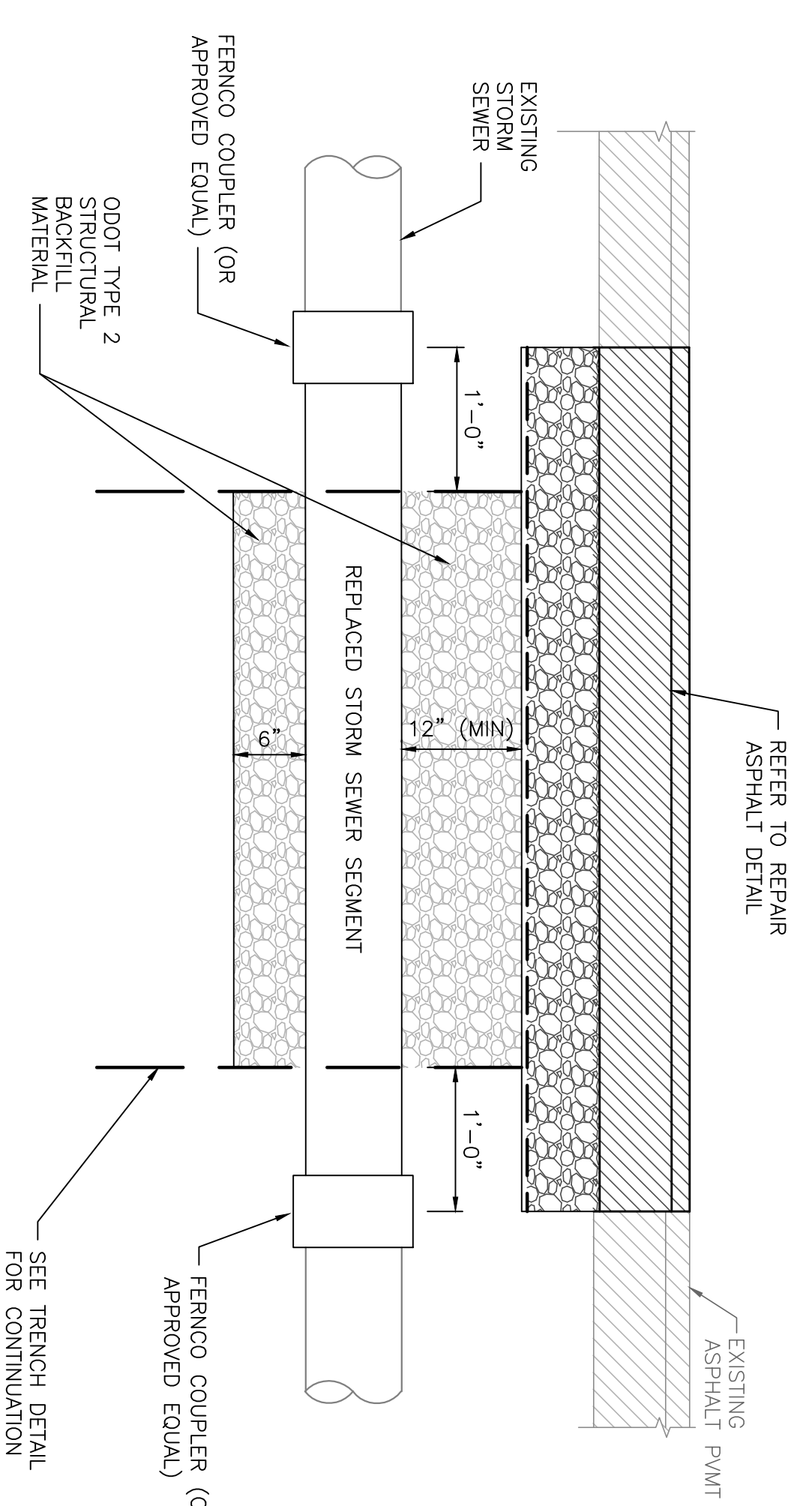
NOTE:  
 1. ADJUSTMENTS TO BOTTOM CHANNEL SHALL BE PERFORMED PRIOR TO LINING OF MANHOLE.

3 MANHOLE INVERT ADJUSTMENT DETAIL  
 SCALE: 1/2"=1'-0"

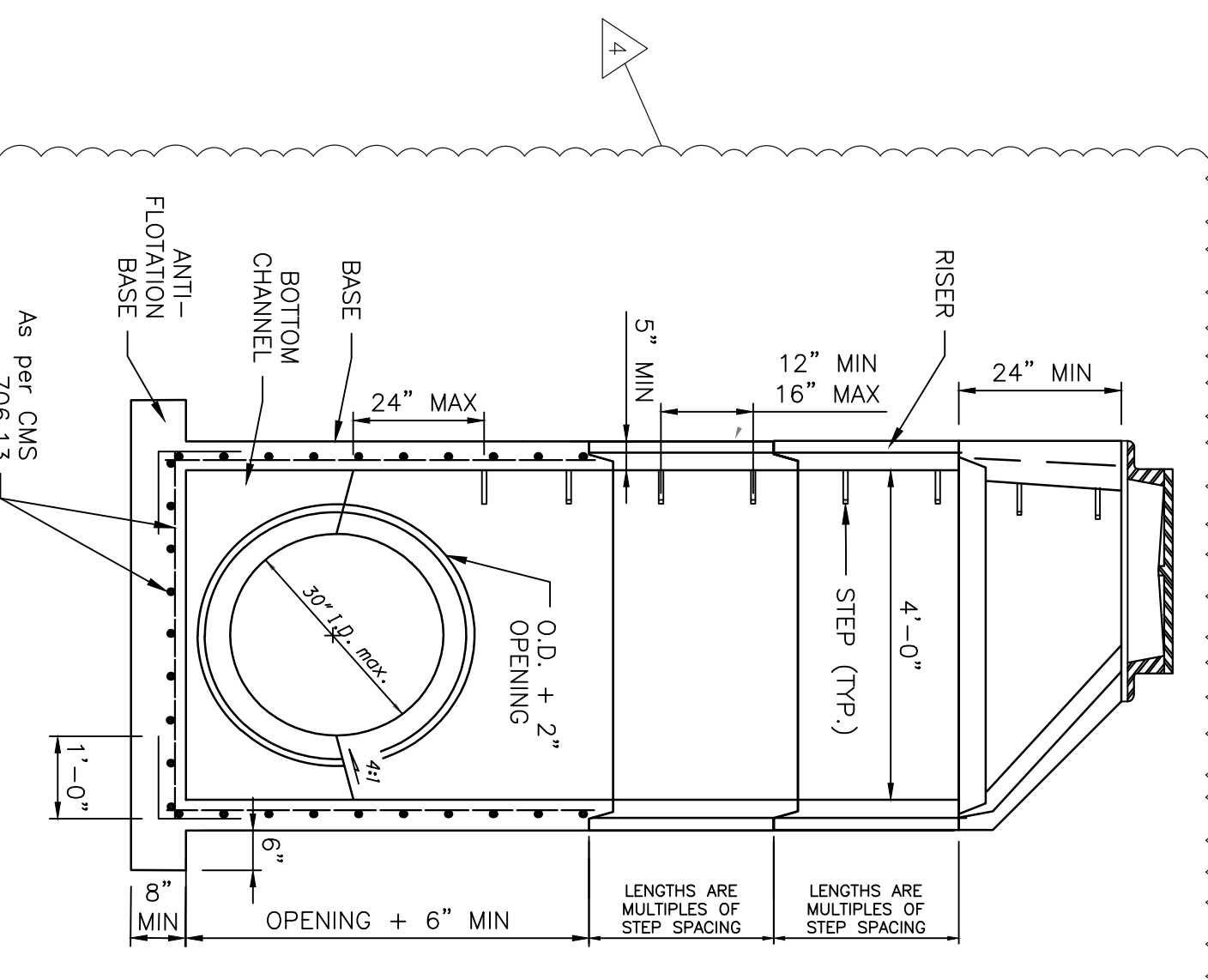


NOTE:  
 1. CONTRACTOR SHALL FIELD VERIFY INCOMING PIPE SIZES AND ACCOMMODATE ALL WITH NEW CHANNEL.

4 FLOW CHANNEL REHAB DETAIL  
 SCALE: 1/2"=1'-0"



B STORM CROSSING REPAIR SECTION  
 SCALE: 1"=1'-0"



5 ODOT MANHOLE NO. 3 DETAIL  
 SCALE: 1/2"=1'-0"

- NOTE:  
 1. DETAIL IS FOR INFORMATION PURPOSES ONLY. CONTRACTOR SHALL REFER TO ODOT STANDARD CONSTRUCTION DRAWING MANHOLE NO. 3 FOR MORE INFO.  
 2. TOP SHALL BE AN ECCENTRIC CONE.  
 3. BASE SHALL BE PROVIDED WITH AN ANTI-FLOTATION COLLAR DUE TO HIGH GROUND WATER LEVELS.  
 4. PRECAST UNITS SHALL BE IN ACCORDANCE WITH ASTM C478.  
 5. CONNECTIONS BETWEEN PRECAST MANHOLE SECTIONS AND PIPES MAY BE SEALED WITH RESISTANT CONNECTORS.  
 6. FINISHING TO BE DONE BETWEEN PRECAST MANHOLE SECTIONS AND FLEXIBLE GASKETS PER CMS 706.11 (ASTM C643) SUPPLIED PLUS 2" WHEN FABRICATED OR FIELD CUT. FILL ANY VOIDS PER CMS 611.  
 7. PROVIDE PIPE OPENINGS PER THE O.D. OF THE PIPE BEING THAT MEET THE REQUIREMENTS OF CMS 706.13.  
 8. STEPS, FRAMES, AND COVERS SHALL MEET THE REQUIREMENTS SHOWN ON SOD MH-1.1.  
 9. STEEL SLAB REPAIR SHALL USE EPOXY COATED REINFORCING STEEL WITHIN THE TOP SUB.